



**VALIANT** *by CHRYSLER..the finest of the '3'*



*In the field of medium-priced "sixes"  
Chrysler has the last word with..*

# VALIANT

If you have been in the habit of going back, year after year, to the same make of medium-priced car, here is the newcomer that will really tempt you to change your mind . . . VALIANT . . . so new, it is unlike any other car you have ever driven.

With you behind the wheel, Valiant can actually write its own sales story on the road. You can positively *feel* the dramatic difference in its ultra-modern, 30° slanted engine . . . the incredible smoothness and stability of Valiant's "TorsionAire" ride and wider tracks. In so many other ways, too, such as the quietness of Unibody construction and the convenience of the battery-saving alternator, you see and sense that Valiant is different and better.

From now on, when considering a medium-priced car, you owe it to yourself to make a critical assessment of all "three" . . . and particularly to drive them. As far as Valiant is concerned, you won't be given any long drawn-out sales talk . . . it won't be necessary . . . not when Valiant can change your mind all by itself!



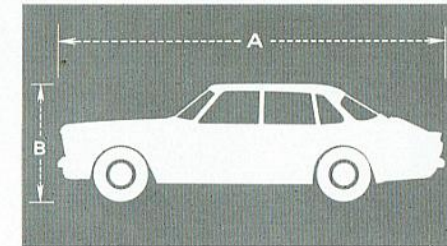
# 21 WAYS

*you'll like Valiant best!*

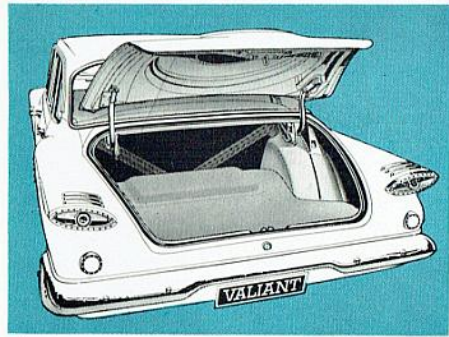


**1. YOU BENEFIT FROM THE FACT THAT VALIANT IS A WELL-TRIED AND PROVEN CAR.** Right from its introduction in the U.S.A. in 1959, Valiant won unstinted applause from the public and motoring critics alike. Now Valiant comes to Australia, proved and improved as the result of the experience in the hands of over 500,000 owners.

**2. TO SAY THAT YOU WILL BE THRILLED AT THE WAY THIS CAR HANDLES IS AN UNDERSTATEMENT.** If you haven't driven Valiant, please take that test drive soon. As for its all-round qualities of performance, we are content to let Valiant speak for itself.



**3. YOU'LL BE PROUD TO DRIVE THE LONGEST, LITHEST BEAUTY IN ITS CLASS.** You don't need a tape-measure to confirm this fact, your eyes (and pulse) will tell you it is so. Valiant's dimensions are: (a) Overall length, 183.7 in.; (b) Overall height (unladen), 56.7 in.



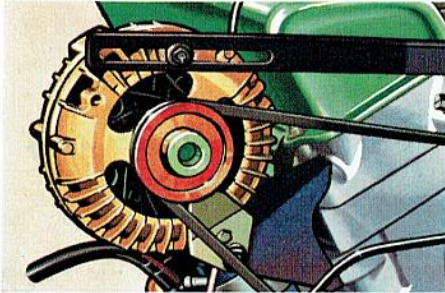
**4. YOU WILL APPRECIATE VALIANT'S "KING-SIZE" LUGGAGE SPACE (BIGGEST IN ITS CLASS).** Valiant's luggage boot is 50.2 in. long, capacity 24.9 cu. ft., and every square inch is usable because the spare tyre is completely out of the way—flat mounted in a special recessed compartment in the floor.

**5. STYLE THAT WILL MAKE YOU STOP, LOOK AND WHISTLE.** The natural colour photos of Valiant shown in this catalogue speak more convincingly than a thousand words.

**6. YOU'LL FIND CHRYSLER "TORSION-AIRE" THE SMOOTHEST RIDE OF YOUR LIFE.** Instead of coil springs at the front, Valiant has torsion bars of high-chrome steel. The torsion (or twist) of these bars resists the up-and-down motion of the wheels, gradually, giving you a smoother, steadier ride.

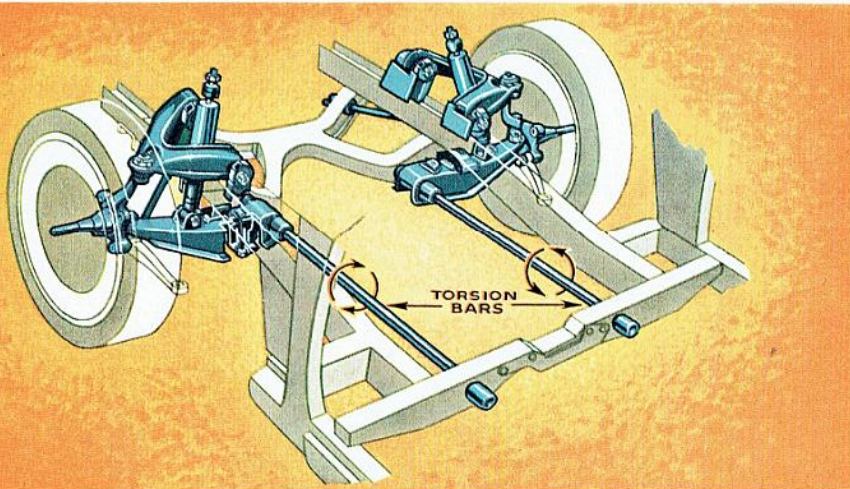
At the rear are wide-spaced, fast-acting "Levelizer" leaf springs. These are made stiff near the front for firm ride control, limber at the back for gentle cushioning.

**7. VALIANT'S WIDER TRACK MEANS EXTRA STABILITY AND SAFETY.** Another reason why Valiant is so sure footed is its wide track, 56 in. at front, 55.5 in. at rear.

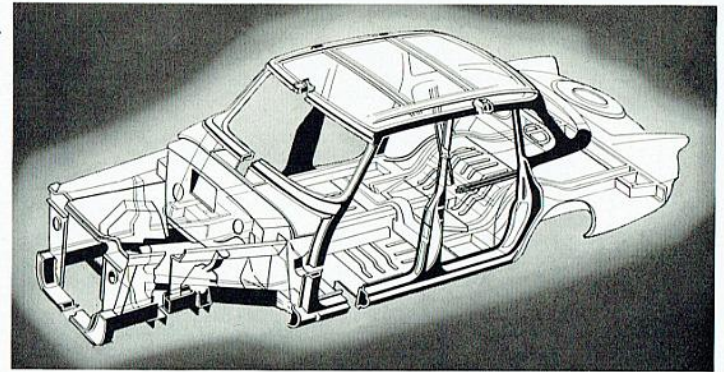


**8. ANOTHER CHRYSLER "FIRST" ... THE AMAZING NEW ALTERNATOR.** Unlike the generator, Valiant's alternator keeps charging even when the engine is idling. The result—easier starting in cold weather, less battery trouble and longer battery life.

**9. OPTIONAL TORQUEFLITE 3-SPEED, PUSH-BUTTON AUTOMATIC TRANSMISSION.** TorqueFlite is a completely automatic 3-speed transmission, controlled by the accelerator pedal and five pushbuttons. All upshifts or downshifts are made automatically and quietly. Push-button D (drive) covers all normal driving needs. Pressing the "2" button keeps transmission from shifting to "high", providing powerful engine braking, or for stop-and-go driving in heavy traffic. Button "1" holds transmission in low range for driving in sand or mud. A lever is provided to lock the transmission when parked.

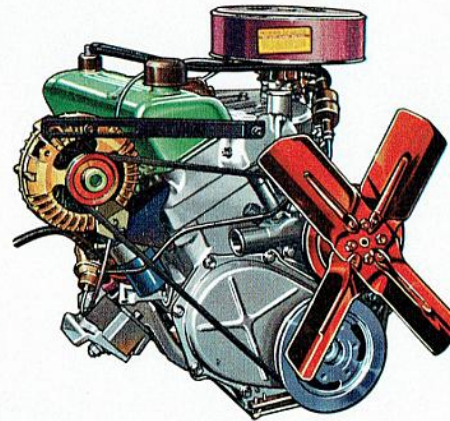


**10. UNIBODY CONSTRUCTION ENDS THE MAJOR CAUSE OF BODY RATTLES AND SQUEAKS.** Instead of bolting body to frame, Valiant combines both into a rigid one-piece unit by over 5,300 spot and seam welds. "The Autocar" described Chrysler's "Unibody" as "the most advanced unit-construction body yet designed".



**11. INSTRUMENTS ARE EASY TO READ.** Instruments are grouped in front of the driver in a hooded panel, matt-black in colour to eliminate reflections.

**12. FRONT SEAT "TAILORS" ITSELF TO SUIT YOUR DRIVING POSITION.** Mounted on a curved track, the front seat tilts back slightly when moved to the rear.



**13. THIS ENGINE WILL GIVE YOU A NEW SLANT ON POWER WITH ECONOMY.** Valiant's ultra-modern O.H.V. "six" is inclined 30° to the right. This not only allows for a lower bonnet line, but also allows the water pump to be mounted on the side, saving 4 in. in engine length, which has been added to the passenger compartment. Inclining the engine also makes possible intake and exhaust manifolding of very high efficiency. The intake manifold has six individual branches which not only feed an even fuel mixture to each cylinder, but have long radius curves permitting gases to enter the

cylinders with a minimum of restriction. Aluminium is used extensively to eliminate dead weight. Engine develops 145 B.H.P., and 215 lbs./ft. torque. It performs like a V8, but has the traditional economy of a "six".

**14. DUAL HEADLIGHTS.** Look smarter, provide greater safety for night driving.

**15. VISIBLY, VALIANT PUTS SAFETY FIRST.** Wide, curved windscreen and low bonnet line give a clear view of the road ahead.

**16. PERFECT PROTECTION IN CASE OF A BLOW-OUT.** Valiant has 14-in. Safety Rim Wheels, another Chrysler "exclusive".

**17. REVERSING LIGHTS STANDARD EQUIPMENT.** Greater safety at night.

**18. SCREENED COWL-TOP VENTILATING SYSTEM.** Extra comfort in hot weather.

**19. SAFETY-PADDED INSTRUMENT PANEL.**

**20. QUALITY TAILORED INTERIORS.**

**21. TWELVE MONTHS OR 10,000 MILES WARRANTY,** plus genuine MoPar parts and accessories, and Specialised Service available Nation-wide.

**DRIVE IT**  
*feel the amazing difference!*



# VALIANT SPECIFICATIONS

**DIMENSIONS:** Wheelbase, 106.5 in.; Overall length, 183.7 in.; Overall width, 70.4 in.; Overall height, 55 in. (laden); Track—front, 56.0 in., rear, 55.5 in.

**ENGINE:** 6 cyl. in line, O.H.V. inclined 30°; bore, 3.40 in.; stroke, 4.125 in. Piston displacement, 225 cu. in.; Compression ratio, 8.2 to 1; Taxable horsepower, 27.7; Max. B.H.P., 145 @ 4,000 R.P.M.; Max torque (lb./ft.), 215 @ 2,800 R.P.M.

Combustion chambers are the in-line, wedge-shaped type, with large valves for efficient engine breathing. Exhaust valves have four bead-keepers, helping valves rotate, distributing wear evenly. Pistons, lightweight, tough aluminium alloy with two compression and one oil control ring. Crankcase ventilating system is closed type with flow-control valve, which gives back-fire protection and eliminates air pollution.

Single downdraft carburettor is calibrated to supply the exact fuel mixture for economical performance. Small diameter carburettor throat exercises better control of the fuel-air mixture. Automatic choke. Replaceable element air cleaner.

**BODY CONSTRUCTION:** All steel, full-unit construction. Welded-in front fender side shields, integral rear-quarter panels. Body is reinforced with heavy steel box-section girders. Two bolted-on structural "frame" members are used—the front K-section suspension cross member and the engine rear support cross member. Body has four doors, is fully dust, water and rust proofed, and extremely well insulated. Very special measures are taken to guard the underbody and similar exposed sections against corrosion.

**TRANSMISSION: Manual**—Dry plate clutch, total effective area 77.8 sq. ins. Release bearing, sealed ball bearings, permanently lubricated gearbox, three forward speeds, gear ratios 1st, 2.71 to 1; 2nd, 1.83 to 1; 3rd, 1.00 to 1; Reverse, 3.49 to 1. Floor gearshift. Synchronesh on 2nd and 3rd.

**TRANSMISSION (Push-button, three-speed TorqueFlite Automatic):** The TorqueFlite transmission combines a torque converter and an automatic planetary gearbox. The torque converter extends torque multiplication over a wide range of engine speeds. The automatic gearbox is controlled by hydraulic pressure supplied by the front and rear oil pumps; this pressure varies according to the throttle opening.

Depending on the drive range selected, the throttle opening and the car speed, the control valves will cause hydraulic pressure to engage or release the clutches and apply or release the bands, thus causing the planetary gear sets to provide three forward and one reverse ratio.

Gear ratio and gears used in each selected position:

"R"—reverse gear: 2.2 to 1 ratio.

"N"—neutral.

"D"—1st, 2nd and drive: 2.45, 1.45 and 1.00 to 1.

"2"—1st and 2nd: 2.45, 1.45 to 1.

"1"—1st: 2.45 to 1.

A lever is incorporated to lock the transmission when your Valiant is parked.

**FUEL TANK:** Capacity 10.8 Imp. Gals.

**REAR AXLE:** Semi-floating, hypoid, 2 pinion differential; composite construction with integral carrier. Ratio, 3.23 to 1.

**BRAKES:** Duo-servo, internal expanding; self-energising, centrifuse, cast-iron brake drums, diameter 9 in.; Gross lining area, 153.5 sq. ins. Moulded asbestos linings; Handbrake—T-handle, pull-on type, located under instrument panel, right of steering wheel. Operates on rear wheels.

**WHEELS AND TYRES:** Disc, pressed steel, safety type rims, size—14 x 4.5J. Tyres (standard)—Five x 5.90 x 14, 4-ply tubeless.

**SUSPENSION:** Front—Heavy-duty, with independent lateral, non-parallel, unequal length control arms and torsion-bar springs. Rear: Heavy-duty, parallel, semi-elliptic longitudinal leaf springs. Double-acting shock absorbers front and rear.

**STEERING:** Linkage—Symmetrical idler arm, equal length tie rods. Steering-gear type, worm and recirculating ball.

**EQUIPMENT:** Adjustable ventilating front quarter windows; Ash trays for front and rear passengers; two adjustable sun visors, one with vanity mirror; Arm-rests on all doors; Reversing lights; Cigar lighter; Flashing turn signal lights with indicator light on instrument panel; Dome lamp operated by head-light switch and door courtesy switches; Dual horns; Instrument panel with speedometer, odometer, fuel gauge, water temperature gauge, ammeter and oil pressure indicator light.

## OPTIONAL EQUIPMENT

### FOR YOUR ADDED PLEASURE AND CONVENIENCE . . .

Valiant is very well equipped for your driving pleasure. However, many people like to add individual touches to their cars, so MoPar provides a very fine range of specially tailored accessories for your Valiant.

- POWER BRAKES
- PUSH-BUTTON RADIO
- RADIO REAR-SHELF SPEAKER
- FOOT-OPERATED SCREEN WASHER
- EXTERIOR REAR-VIEW MIRROR
- LUGGAGE COMPARTMENT LAMP
- HEATER AND DEMISTER KIT
- "DAY-NITE" INTERIOR MIRROR
- WHEEL TRIM RINGS
- EXTERIOR SUN VISOR
- LOCKING FUEL CAP
- REAR WINDOW VENETIAN BLIND
- DOOR WEATHER SHIELD
- SAFETY BELTS



*The policy of Chrysler Australia Limited is one of continual improvement in design and manufacture, wherever possible to assure a still finer car. Hence, specifications, equipment and prices are subject to change without notice.*

CHRYSLER AUSTRALIA LIMITED, ADELAIDE, S.A.