

CADILLAC ATS





A PHILOSOPHY OF PERFORMANCE 04

NÜRBURGRING 08

EXCLUSIVE ARCHITECTURE 10

WORLD-CLASS COMPONENTS 12

POWERTRAIN 14

EXTERIOR 16

LIGHTING 20

INTERIOR 22

CADILLAC USER EXPERIENCE 26

TRIM LEVELS AND EQUIPMENT 32

WHEELS 46

TECHNICAL INFORMATION 48

PERFORMANCE. NO IFS, ANDS OR BUTS.

At Cadillac, we have set out to create a uniquely American breed of extraordinary. That is why we have created our own daring school of design that pushes steel way beyond its comfort zone. But it is more than just that distinctiveness. It is the drive. A potent mix of bold American character and performance driving dynamics that satisfies even the most demanding European connoisseurs. The ATS is a groundbreaking addition to Cadillac's new generation of luxury vehicles created for driving enthusiasts.

THE PINNACLE OF LUXURY.

As one of the oldest luxury brands in the world, we understand the difference between good and great.

No compromises. That is why you will be pleased to discover that a Cadillac is fitted with extras that – even in the premium class – are usually only found on the options list.

Generosity and elegance define the brand. A symbiosis that makes the pinnacle of luxury possible:

EXCLUSIVE INDIVIDUALITY OF THE HIGHEST STANDARD.

NO COMPROMISES:
MADE TO CHALLENGE
THE WORLD'S BEST.



Quick. Nimble. Responsive. The new Cadillac ATS. Derivative of nothing, it was built from the ground up to challenge the world's best sport sedans, and tested and perfected under the extraordinary demands of Germany's famed Nürburgring. Riding on an all-new unique architecture, the ATS has been engineered to deliver exceptional handling and control with a near-perfect front-to-rear 50/50 weight balance. Endowed with a powerful and fuel-efficient engine, a ZF premium steering system, race-inspired Brembo® front brakes and the latest generation of revolutionary Magnetic Ride Control as optional equipment, the ATS is a driver-focused premium sport sedan that delivers world-class performance. But we did not stop there. The refined, handcrafted cut-and-sewn interior is finished with premium materials and the latest technology like CUE¹ – Cadillac User Experience. It is a brilliantly executed fusion of luxury and sport – with the character to stand out from the crowd.

*MASTER ITS CURVES,
AND YOU HAVE YOUR PRIORITIES STRAIGHT.*



The most difficult roads are the ones that lead to greatness. While engineering and perfecting the new ATS, we went to the toughest, most demanding automotive track on the planet: Germany's legendary Nürburgring Nordschleife.

It is the ultimate challenge in motorsport, the benchmark by which performance cars are measured. Over its 70-plus turns in 20.8 kilometers, it is hungry to consume the entire engine, all of the brakes and chew through the tires. It stresses every component to its limit – and sometimes beyond – and deservedly earns the nickname "Green Hell."

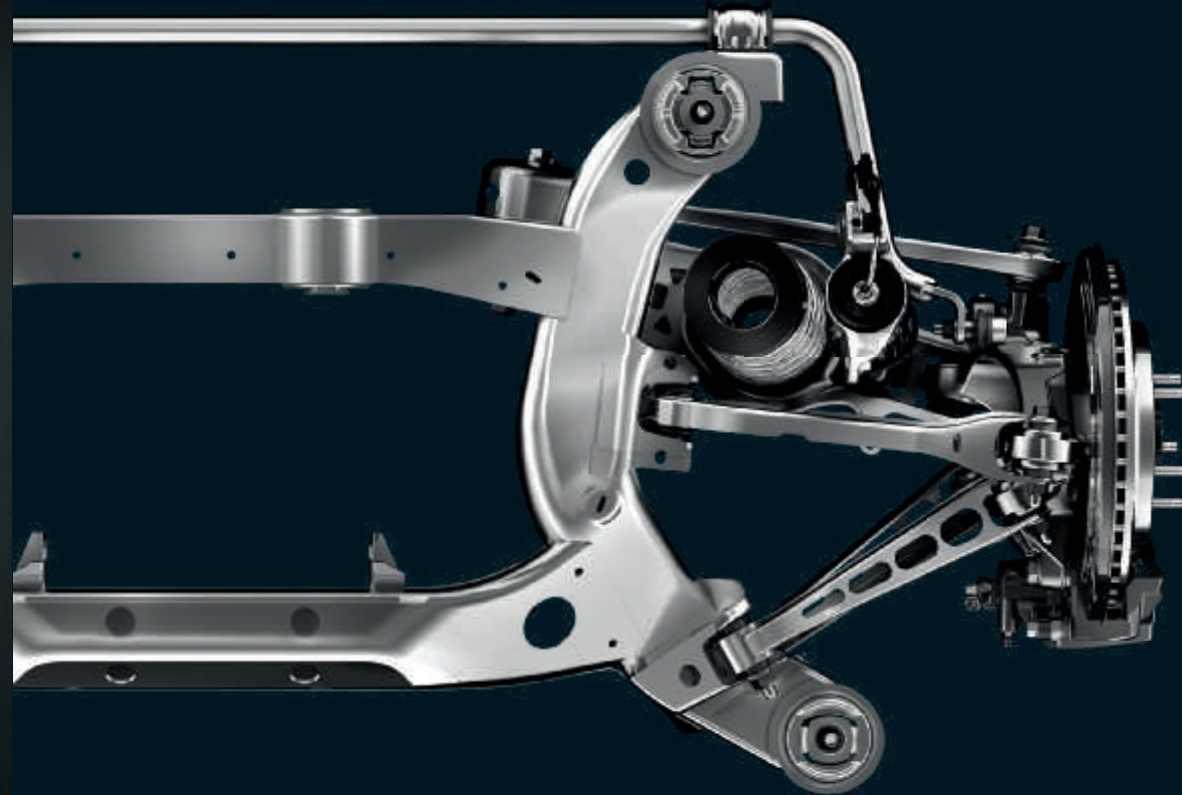
By enduring this grueling punishment, every aspect of the agile ATS was tuned and retuned to achieve the best possible performance-oriented configuration. We set out to challenge the status quo. What we accomplished is a world-class premium sport sedan with breathtaking performance and handling.



*STRONG FOUNDATIONS
ARE MADE FROM MORE THAN JUST
IRON AND GRANITE.*



Similar to the world's top athletes, the ATS is built on an incredibly strong, yet lean architecture for quickness and agility. Every component of the all-new chassis was evaluated down to the gram to reduce weight without sacrificing strength, durability or safety. The result is the perfect combination of ultra-high-strength steel, aluminum, magnesium and other advanced materials, which create a premium sport sedan that is extremely robust while still athletic and composed. A near-perfect front-to-rear 50/50 weight balance, low center of gravity and distinct suspension geometry blend flawlessly with performance-tuned Rear-Wheel Drive or available All-Wheel Drive. Engaging and responsive, the ATS sport sedan delivers an exhilarating driving experience that is nothing short of electrifying.



PURPOSE-BUILT SUSPENSION GEOMETRY

Utilizing a double-pivot MacPherson strut front and 5-link rear design, the independent suspension in the ATS was purposely engineered for responsive, nimble handling with excellent refinement.



BREMBO BRAKES

Power is nothing without control. So we combined forces with the world-renowned brake experts at Brembo® to engineer the 4-piston, fixed-caliper front brakes that deliver remarkable stopping power and consistent pedal feel.

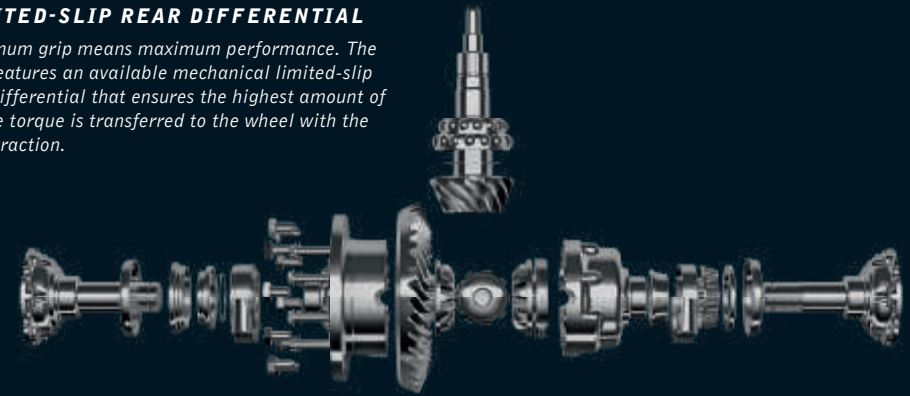


MAGNETIC RIDE CONTROL

Now in its third generation available – after being pioneered in other Cadillac models like the CTS-V – revolutionary Magnetic Ride Control reads the road up to 1,000 times per second and seamlessly adjusts damping for exceptional ride, handling and control.

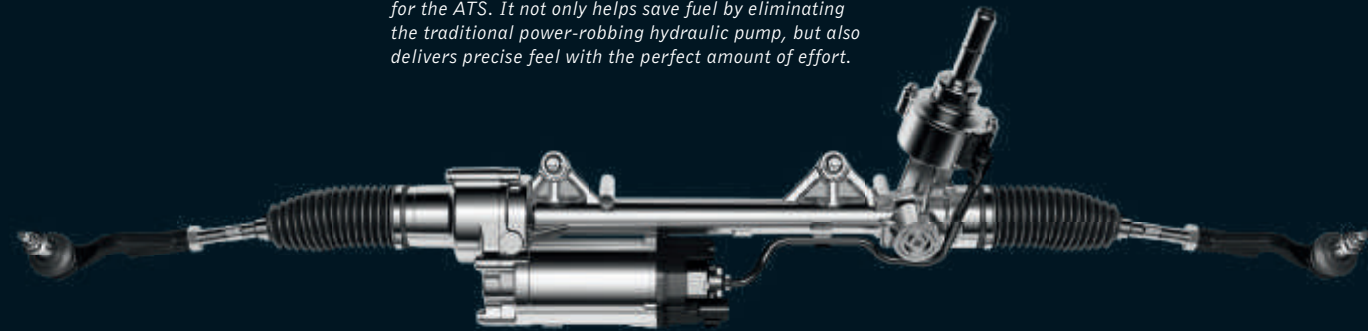
LIMITED-SLIP REAR DIFFERENTIAL

Maximum grip means maximum performance. The ATS features an available mechanical limited-slip rear differential that ensures the highest amount of engine torque is transferred to the wheel with the most traction.



ZF PREMIUM STEERING SYSTEM

A highly acclaimed manufacturer of steering systems, ZF, created the electric-assist, speed-sensitive steering rack for the ATS. It not only helps save fuel by eliminating the traditional power-robbing hydraulic pump, but also delivers precise feel with the perfect amount of effort.



WORLD-CLASS PERFORMANCE BEGINS WITH
WORLD-CLASS COMPONENTS.

It stands to reason that building a world-class luxury sport sedan requires world-class components. That is why we worked with highly acclaimed companies like ZF to construct and fine-tune the premium speed-sensitive electric steering system. We teamed with world-renowned Brembo® to develop the available 4-piston, fixed-caliper front-brake system, which provides remarkable and repeatable stopping power. And we worked hand in hand with Tremec® to design an available precision 6-speed manual transmission tailored specifically for the ATS. Then we went a step further and made class-exclusive Magnetic Ride Control available, which adjusts the suspension almost instantaneously to changing surfaces, camber and conditions, up to 1,000 times a second. It is credentials like these, along with the available performance seats and limited-slip rear differential, that define the ATS as not only a luxury car, but also a bona fide driver's car.

High tech means high output. At a potent 203kW/276HP, the new 2.0L Turbo engine in the ATS handily trumps the output of comparable competitive engines. Extremely responsive yet refined and efficient¹, it even uses ingenious Bose® Active Noise Cancellation to help improve fuel economy by eliminating frequencies produced as the engine idles at a slower speed. And delivering the ultimate in control, a new ATS-specific high-performance Tremec® 6-speed manual transmission is a perfect match to the 2.0L Turbo. With this transmission the ATS features a fuel-saving engine start/stop function. So even under the hood, there is the refinement of a premium car and the essence of a true performance machine.



RESPONSE AND RESPONSIBILITY

HAVE NEVER BEEN CLOSER.



2.0L TURBO ENGINE

Delivering a powerful punch of 203kW/276HP at 5,500 rpm, the 2.0L Turbo with twin-scroll technology is deftly smooth and incredibly responsive, while remaining remarkably fuel-efficient.¹

¹ For fuel consumption and CO₂ emissions data please see pages 48 and 51.



ATS EXTERIOR

AERODYNAMIC,
EVEN IN PLACES YOU CANNOT SEE.



ATS "PREMIUM" / THUNDER GRAY CHROMAFLAIR®

Expressive and athletic, the ATS seamlessly fuses form with function. Taut, chiseled sheet metal allows the ATS to slice through the air with little resistance, affording a quiet cabin and improved fuel efficiency. Advanced aerodynamic innovations – like active aero grille shutters that close automatically when additional engine cooling is not needed, and inconspicuous underbody aero shields – direct air smoothly around and under the vehicle to minimize fuel consumption. Sculpted side mirrors are precisely

formed and positioned to help reduce wind noise. And, in the rear, the LED center brake lamp doubles as a spoiler to ingeniously channel air off the decklid for added downforce and a planted feel at high speed. The acoustically laminated windshield and front-side door glass, along with strategically placed sound-deadening materials and sealers, all work in concert to deflect noise before it enters the cabin. When it comes to details, we do not compromise. That is the difference between good and great.



DYNAMIC 18" MACHINED-FINISH WHEELS



INTEGRATED REAR SPOILER
AND CENTER STOP LAMP

ORIGINALITY
LIES BEIN
D ENOUGH
GO BEYON
CEPTED
RMS



SOME IDEAS ARE JUST BRIGHTER
THAN OTHERS.



ILLUMINATING DOOR HANDLES



DISTINCTIVE LED LIGHT SIGNATURE

ATS "PREMIUM" / RADIANT SILVER METALLIC

Whether it is a historic theater or modern gallery, fine art is brought to life through dramatic lighting. Brilliant illumination brings an unmistakable presence to the ATS, day or night. Bright-white LED Daytime Running Lamps make the ATS more visible to other drivers with a distinct razor-like design that traces down the beautifully sculpted fender line and flows into the lower valance. The available HID headlamps feature Adaptive Forward Lighting, which reacts to the car's speed and steering,

swiveling the headlamps to cast light precisely into your path of travel. Exterior door handles are available with subtle LED accent strips, adding a welcoming touch on a dark night. Even the exterior mirrors help light your path with convenient puddle lamps and turn signal indicators to notify other drivers of your intentions. And, for those following, signature LED tail lamps and a brilliant center stop lamp spark instant Cadillac recognition.



ATS INTERIOR

THE ACCELERATOR, AFTER ALL, IS NOT YOUR ONLY
POINT OF CONTACT.

Technical sophistication, precision-tailored ergonomics and pure luxury – the drive to create one of the finest premium sport sedans does not stop at exceptional dynamics. Every interior detail in the ATS is driver-focused, ergonomically perfected and brilliantly executed. On select models equipped with the 6-speed automatic transmission, you will find magnesium steering wheel paddle shifters. One tap is all that is required for a crisp upshift or downshift. Complementing the athletic nature of the ATS, bolstered performance seats with thigh support extenders are available, helping to keep you firmly planted during sporty driving. The ATS reveals its refined side in the precise, handcrafted cut-and-sewn interior. The cabin blends modern design with classic craftsmanship. Seating with available leather surfaces comes in an array of rich colors complete with French stitching and is finely accented by distinct interior themes featuring sustainably sourced exotic-wood, aluminum or carbon-fiber trim. Ultimately modern and exceptionally refined, nothing has been overlooked inside the ATS cabin.



DRIVER-FOCUSED COCKPIT



AUTHENTIC CARBON-FIBER AND
ALUMINUM TRIM



MAGNESIUM PADDLE SHIFTERS

EXOTIC-WOOD TRIM

From its available dramatic Dark Olive Ash (shown here) to the beautiful Sapele wood, the stylish ATS interior is emphasized with woods that feature deep, rich graining in alluring colors.

THE INTUITIVE CONTROL OF A SMARTPHONE

IN YOUR CAR? JUST A TAP AWAY.

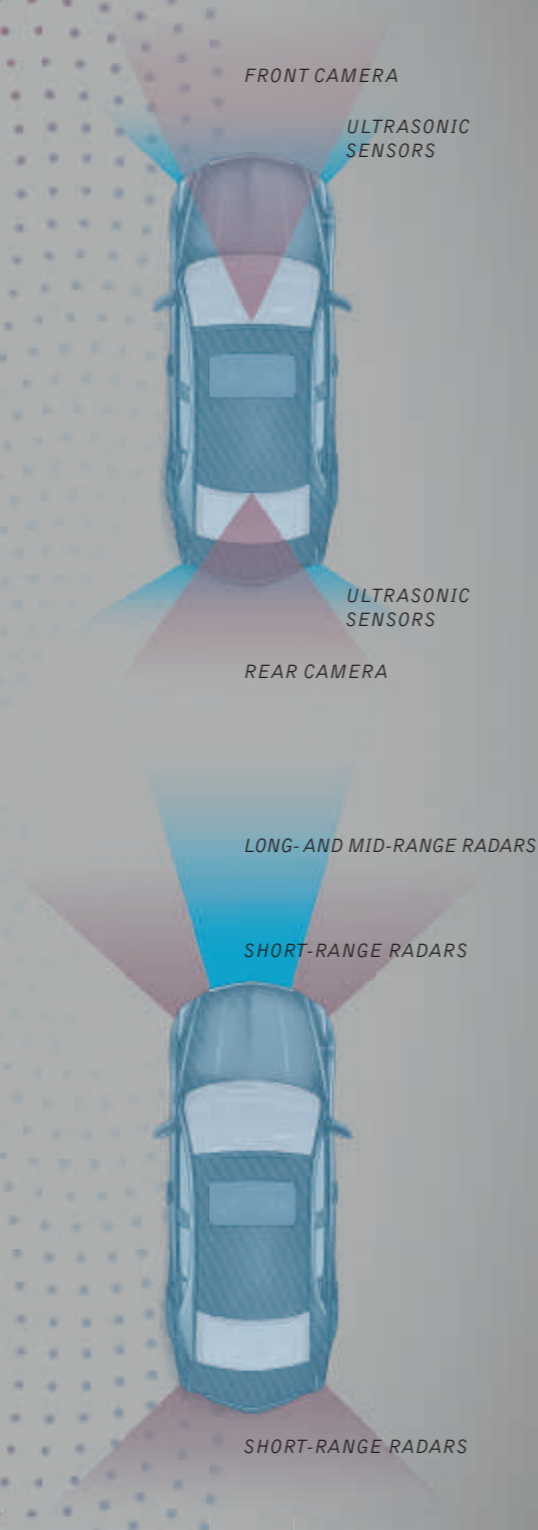
Employing first-of-its-kind technology, the CUE¹ – Cadillac User Experience – brings the innovative brilliance of your tablet to your entire driving experience. CUE is the driver interface and infotainment system which blends revolutionary features with highly intelligent design to create an experience that is as effortless as it is advanced. Its stunning 8" LCD touchscreen senses your hand as it approaches. Spread your fingers to zoom in closer on a map². Swipe to breeze through your music. Or you can also use the steering wheel controls to manage all functions of the CUE without taking your hands off the steering wheel. When an icon is touched, the screen pulses to acknowledge the command, letting you keep your attention focused on the road ahead. CUE also lets you preset up to 60 favorites, including points of interest, addresses of the available navigation system² and phone numbers. You can easily access every contact and song on up to ten Bluetooth^{®3}-enabled smartphones.

¹ Full functionality requires compatible Bluetooth[®] and smartphone. Some devices require USB connectivity.
² For precise information about map coverage please contact your local Cadillac sales and service partner.
³ For precise information on which phones are compatible with the ATS please contact your local Cadillac sales and service partner.

CONNECTIVITY

Smartphone Bluetooth^{®3} connectivity, available 3-D GPS navigation² and more.





ADVANCED SAFETY TECHNOLOGY

The ATS offers the latest innovations in driver awareness and assistance, including the first-in-class Front and Rear Automatic Braking as an option. Rear Cross-Traffic Alert, Lane Departure Warning, a Rear Vision Camera and Front and Rear Park Assist are available as well. To deliver this level of assistance, the ATS utilizes an advanced safety system comprised of 5 short-range radars, one long-range radar, 2 cameras and 8 ultrasonic sensors.

AWARENESS

THAT EXTENDS FAR BEYOND
ORDINARY PERCEPTION.



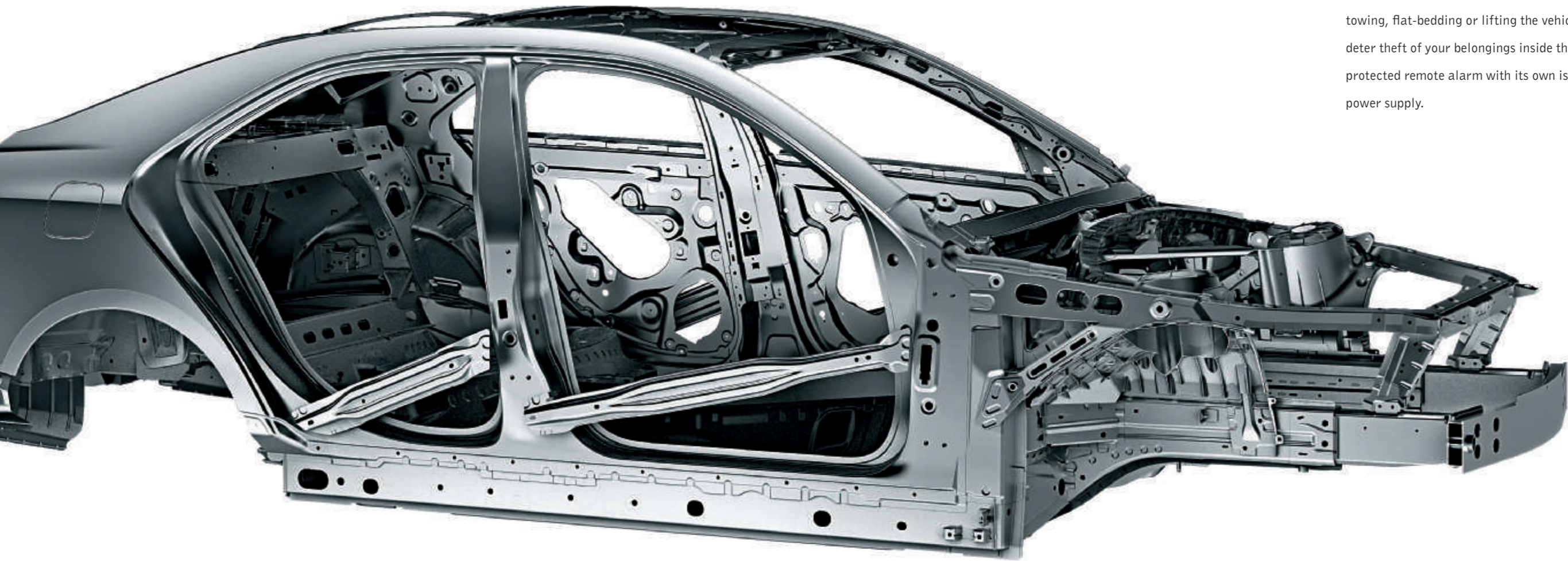
The new ATS connects you to some of the most advanced safety innovations available on a premium sport sedan. Using strategically placed cameras, short- and long-range radar technology and numerous other sensors, the ATS is ever vigilant. The available Driver Awareness Package includes the Safety Alert Seat that pulses, giving you instant, tactile feedback to alert you of select dangers on the road. Other features include Forward Collision Alert, Lane Departure Warning and RainSense windshield wipers. Going a step further, the available Driver Assistance Package adds: Front and Rear Automatic Braking which works in concert with other advanced safety systems to detect large objects and help prevent certain low-speed collisions by applying the brakes for you when needed; Side Blind-Zone Alert, Rear Cross-Traffic Alert; Front and Rear Park Assist to help inform you of potential hazards you may not even see; a full-color Head-up Display that projects customizable key driving, entertainment and safety features at eye level; and Adaptive Cruise Control¹ that maintains a preset distance between you and the vehicle in front. This new high-tech approach to safety is yet another example of Cadillac leading you confidently down the road ahead.

SAFETY ALERT SEAT

The patented available Safety Alert Seat sends pulses through the seat cushion alerting you of a variety of potential hazards, like a lane departure for example. Using a camera sensor, the driver receives left- or right-side seat vibrations if they were to drift out of their lane without using their turn signal.

¹ Adaptive Cruise Control is no substitute for the driver's personal responsibility to operate the vehicle in a safe manner. The driver needs to remain attentive to traffic and road conditions and provide the steering, braking or other inputs necessary to retain control of the vehicle.

*A HIGHLY INNOVATIVE APPROACH TO
PERSONAL PROTECTION.*



It starts with a protective safety cage constructed with ultra-high-strength steel alloys and other highly advanced materials for exceptional rigidity and strategically placed crumple zones. Then we add preventive safety features like the StabiliTrak Electronic Stability Control and full-function traction control systems. A sophisticated Anti-lock Braking System (ABS) with Auto-Dry functionality and Electronic Braking Force Distribution helps balance stopping power between the front and rear brakes. There is also the confidence that comes with 8 standard airbags. The available Driver Awareness Package also features rear-seat Thorax airbags for outboard seating positions. Among its many anti-theft innovations is a standard tilt sensor that sets off an alarm when the system senses a change of the angle of the vehicle, such as would occur with towing, flat-bedding or lifting the vehicle. And to help further deter theft of your belongings inside the ATS, there is a protected remote alarm with its own isolated tamper-resistant power supply.



ATS EQUIPMENT



CADILLAC USER EXPERIENCE

CUE¹ is as intuitive as it is advanced. Employing first-of-its-kind technology, CUE¹ brings the innovative brilliance of your tablet to your entire driving experience. Spread your fingers to zoom in closer on a map². Swipe to breeze through your music.

ATS "ELEGANCE"

PREMIUM-CLASS EXCLUSIVITY.

NO COMPROMISES.



BOSE® PREMIUM SPEAKER SYSTEM



POWER-FOLD & HEATED OUTSIDE MIRRORS

A Cadillac is a distinctive, exclusive character per se – without you having to piece together an individual touch option by option. Case in point: the ATS "Elegance" – it defines a new standard of sophisticated standard equipment in its category. Inside, the 6-way power driver & passenger seat wrap you in a welcoming embrace with 2-way power lumbar, plus 4-way adjustable head restraints to let you find your optimal seating position. The Bose® Premium 7-speaker infotainment system with CD player combines with Active Noise Cancellation and the cutting-edge technology of CUE¹ to help you make the most of your driving experience. Keyless entry, push-button start and power-fold, heated outside mirrors are just a few of the everyday luxuries you will appreciate. Ultrasonic Rear Park Assist and Electronic Cruise Control are also on board for more comfort. The 17" aluminum wheels come with run-flat tires and provide grip in even the most extreme conditions. For spirited drivers, the manual transmission version offers a mechanical limited-slip differential as standard equipment.

¹ Full functionality requires compatible Bluetooth® and smartphone. Some devices require USB connectivity.
² For precise information about map coverage please contact your local Cadillac sales and service partner.

ATS "LUXURY"

WANTS THAT QUICKLY

BECOME NEEDS.



HIGH-TECH MEETS HIGH-END COMFORT

Inside you will find a compelling blend of precision-tailored ergonomics and technical sophistication. Like CUE¹: part driver interface, part infotainment system that uses industry-first controls and commands for safer, connected driving.



POWER SUNROOF



PREMIUM LEATHER SEATING SURFACES WITH FRENCH STITCHING

The ATS is a remarkable fusion of refined details wrapped in a responsive package, further enhanced by the "Luxury" model. Inside, you are greeted by a distinctive atmosphere filled with upscale features like 8-way power-adjustable front seats plus 2-way power lumbar, Memory Package, supple leather seating surfaces with French-stitched seams and the cutting-edge technology of CUE¹. The bold front-end design of the ATS is highlighted with a unique Midnight Chrome-accented grille that complements its confident stance. Parking is a breeze with the convenience of the rear-vision camera, in addition to Front and Rear Park Assist, which uses integrated sensors to alert you of obstacles in the proximity. Discover the luxury of Passive Entry with adaptive vehicle remote start (with automatic transmission) and the comfort of heated front seats and a heated steering wheel to add the finishing touches on an exceptionally sophisticated package.

¹ Full functionality requires compatible Bluetooth® and smartphone. Some devices require USB connectivity.

ATS "PERFORMANCE"

THE LINK BETWEEN MAN AND MACHINE
JUST GOT STRONGER.



PERFORMANCE SEATS

Providing secure, confidence-inspiring support for both the driver and front-seat passenger, the bolstered performance seats are exceptionally comfortable when pushing the performance envelope or pushing through a long drive.



RACING-INSPIRED ALUMINUM PEDALS



DIRECTIONAL HID HEADLAMPS WITH SIGNATURE LED LIGHTING

Perfectly suited to its athletic essence, the ATS "Performance" was developed to bond driver with machine. Bolstered 12-way performance driver's seat with thigh support extenders inside the driver-focused interior are not only exceptionally comfortable, but ensure a firm, planted feel during intense cornering. Aluminum pedals add a racing-inspired touch, and the steering wheel features magnesium paddle shifters that require only a quick tap for a smooth, crisp gear change on automatic transmission-equipped models. High-Intensity Discharge (HID) headlamps with Adaptive Forward Lighting swivel to cast light into your direction of travel, while signature LED lighting elements call attention to its prominent, chiseled design. Drive with the added confidence of available innovative safety technologies like a full-color reconfigurable Head-up Display, Forward Collision Alert, Rear Cross-Traffic Alert, Side Blind-Zone Alert and the Safety Alert Seat that helps alert you of potential hazards. And featuring CUE¹ and the Bose® Surround® sound system, the ATS "Performance" is both exhilarating and refined.

1 Full functionality requires compatible Bluetooth® and smartphone. Some devices require USB connectivity.

ATS "PREMIUM"

WHERE CUTTING-EDGE TECHNOLOGY
MEETS THE LEADING EDGE OF PERFORMANCE.



MAGNETIC RIDE CONTROL

Pioneered by Cadillac, the revolutionary Magnetic Ride Control is a class-exclusive feature available on the ATS. Reading the road up to 1,000 times per second, the third-generation system seamlessly adjusts to keep the suspension dialed-in at all times.



CUE¹ WITH NAVIGATION



RECONFIGURABLE HEAD-UP DISPLAY

ATS "Premium" pushes the modern style, agility and advanced technology of the ATS to the highest level. Slide into the premium, leather-laden cabin and enjoy the intuitive brilliance of CUE¹ with 3-D GPS navigation² and Bluetooth[®] connectivity¹. Hit the back roads and experience the exhilarating driving dynamics of the ATS, enhanced on the "Premium" model through the revolutionary Magnetic Ride Control³, limited-slip rear differential for the available 6-speed automatic transmission and beautiful 18" wheels. To help keep your eyes on the road, there is a full-color reconfigurable Head-up Display that projects customizable key driving, entertainment and safety features at eye level. Wherever your journey takes you, the Bose[®] Surround[®] sound system will provide entertainment with its rich, full-range sound. It is the ultimate blend of luxury, technology and sport, both inside and out.

¹ Full functionality requires compatible Bluetooth[®] and smartphone. Some devices require USB connectivity.
² For precise information about map coverage please contact your local Cadillac sales and service partner.
³ Rear-wheel models only.

PAINT FINISHES

TINTCOAT

A premium 2-layer paint application with the addition of a tinted clearcoat, lending the finish an extra depth and brightness.

TRICOAT

A meticulous 3-layer process that results in a dramatic hue-shifting color. A show-car finish.

CHROMAFLAIR®

An advanced, light interference paint technology with prismatic metallic pigments to create intense, deeply lustrous color.



RADIANT SILVER METALLIC



WHITE DIAMOND TRICOAT¹



SILVER COAST METALLIC



CRYSTAL RED TINTCOAT¹



SUMMER GOLD METALLIC



GLACIER BLUE METALLIC



OPULENT BLUE METALLIC



THUNDER GRAY CHROMAFLAIR¹



BLACK RAVEN



BLACK DIAMOND METALLIC TRICOAT¹

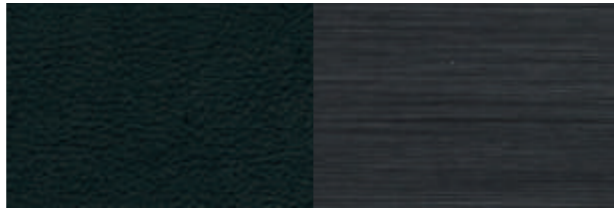


¹ Available at extra cost.

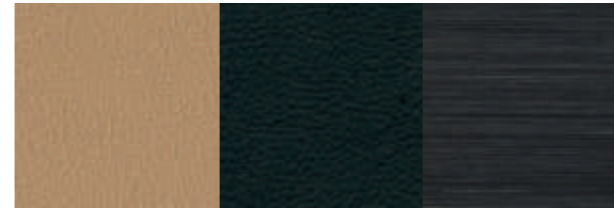
INDIVIDUALIZED INTERIOR THEMES.

Personalize your ATS with these distinct interior environments, featuring a rich color palate accented with authentic trim materials, including Dark Olive Ash, Sapele and Okapi Stripe designer woods, aluminum or carbon fiber.

Jet Black¹ / Oil-rubbed Bronze-Appearance Trim



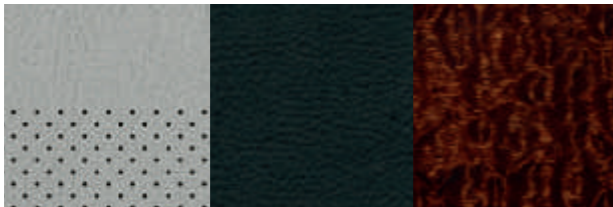
Caramel Tan¹ / Jet Black Accents / Oil-rubbed Bronze-Appearance Trim



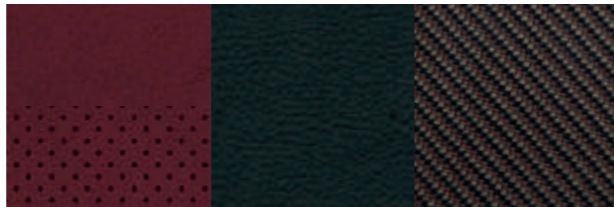
Jet Black² / Brushed-Aluminum Trim



Light Platinum² / Jet Black Accents / Sapele-Wood Trim



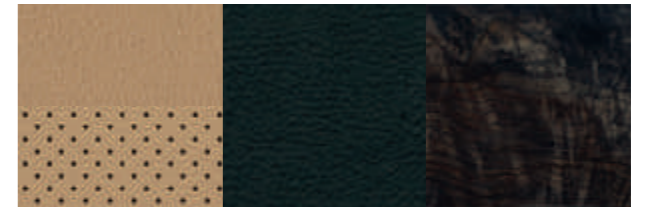
Morello Red² / Jet Black Accents / Carbon-Fiber Trim



Light Platinum² / Brownstone Accents / Okapi-Stripe-Wood Trim



Caramel Tan² / Jet Black Accents / Dark Olive-Ash-Wood Trim



¹ Leatherette seating.
² Leather seating surfaces.

WHEELS AND TIRES

	①	②	③	④
ATS "ELEGANCE"	—	●	—	—
ATS "LUXURY"	—	●	○	—
ATS "PERFORMANCE"	○	●	—	—
ATS "PREMIUM"	●	—	—	○*

● = Standard ○ = Optional — = Not available

* Only available on ATS "Premium" AWD

① **18" FORGED 5-Y-SPOKE ALUMINUM WITH MACHINED FINISH¹**

Standard with ATS "Premium", available on ATS "Performance".

Size: 18" x 8" front and rear (P225/40R18 tires). Size "Premium" RWD: 18" x 8" front and 18" x 9" rear (P225/40R18 front and P255/35R18 rear tires).



② **17" 7-SPOKE ALUMINUM WITH PREMIUM PAINTED FINISH**

Standard with ATS "Elegance", "Luxury" and "Performance".
Size: 17" x 8" front and rear (P225/45R17 tires).



③ **17" 7-SPOKE ALUMINUM WITH POLISHED FINISH**

Available on ATS "Luxury".
Size: 17" x 8" front and rear (P225/45R17 tires).

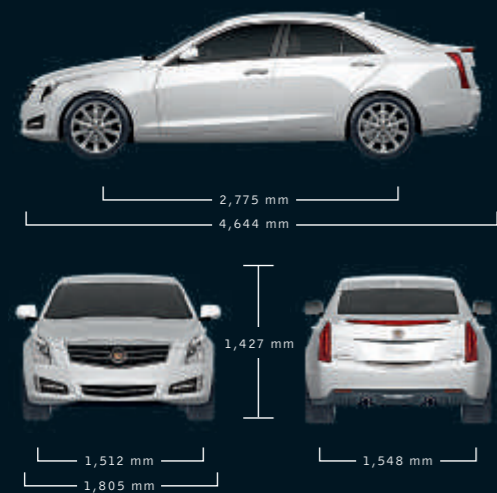


④ **18" FORGED 9-SPOKE ALUMINUM WITH POLISHED FINISH**

Available on ATS "Premium" AWD.
Size: 18" x 8" front and rear (P225/40R18 tires).



ALL CADILLAC ATS MODELS ARE EQUIPPED WITH RUN-FLAT TIRES AS STANDARD.



2.0L Turbo 4-cylinder DOHC petrol engine, 4 valves per cylinder, continuously variable valve timing with direct high-pressure fuel injection

Power output: 203kW/276HP at 5,500 rpm
Torque: 353Nm at 1,700–5,500

RWD 6-SPEED TREMEC MANUAL TRANSMISSION WITH START/STOP TECHNOLOGY:

- Top speed in km/h: 220–240*
- Acceleration 0–100 km/h (s): 6.0
- Fuel consumption:
 - urban: 12.0 l / 100 km
 - extra-urban: 6.5 l / 100 km
 - combined: 8.6 l / 100 km
- CO₂ emissions combined: 199 g/km
- 6-speed, Tremec® TR3160 fully synchronized 6-speed manual transmission with single overdrive includes Start/Stop

RWD HYDRA-MATIC 6-SPEED AUTOMATIC TRANSMISSION:

- Top speed in km/h: 220–240*
- Acceleration 0–100 km/h (s): 5.9
- Fuel consumption:
 - urban: 11.6 l / 100 km
 - extra-urban: 6.3 l / 100 km
 - combined: 8.2 l / 100 km
- CO₂ emissions combined: 191 g/km
- 6-speed Hydra-Matic 6L45 electronically controlled, automatic overdrive transmission with torque converter clutch

AWD HYDRA-MATIC 6-SPEED AUTOMATIC TRANSMISSION:

- Top speed in km/h: 220–230*
- Acceleration 0–100 km/h (s): 6.1
- Fuel consumption:
 - urban: 12.0 l / 100 km
 - extra-urban: 6.3 l / 100 km
 - combined: 8.4 l / 100 km
- CO₂ emissions combined: 195 g/km
- 6-speed Hydra-Matic 6L45 electronically controlled, automatic overdrive transmission with torque converter clutch

FUEL EFFICIENCY CATEGORY:

RWD MT	RWD AT	AWD
BE: E	BE: E	BE: E
CH: F	CH: F	CH: F
DE: E	DE: E	DE: E
DK: F	DK: E	DK: E
LU: E	LU: E	LU: E
NL: E	NL: E	NL: E
UK: J	UK: J	UK: J

DIMENSIONS IN MM

Length: 4,644
Width: 1,805
Height:
– 17" wheels/tires: 1,427
– 18" wheels/tires: 1,419
Wheel base: 2,775
Track:
– Front: 1,512
– Rear: 1,548

INTERIOR DIMENSIONS IN MM

Leg room, front: 1,079, rear: 851
Head room, front: 980, rear: 935
Shoulder room, front: 1,345, rear: 1,370
Hip room, front: 1,345, rear: 1,328

FURTHER DIMENSIONS:

Base curb weight (kg):

RWD Manual: 1,559
RWD Automatic: 1,540
AWD Automatic: 1,617

Turning diameter (m):

Sport Performance RWD: 11.09
Sport Performance AWD: 11.60
MRC Premium RWD: 10.97

Trunk volume (l): 381
Fuel tank (l): 62.5

CHASSIS/SUSPENSION:

Configurations:

RWD Manual: Sport Performance or MRC Premium Suspension
RWD Automatic: Sport Performance or MRC Premium Suspension
AWD Automatic: Sport Performance Suspension

Front:

Sport Performance: MacPherson-type with dual lower ball joints, twin-tube struts and direct-acting stabilizer bar
MRC Premium: Magnetic Ride Control with monotube inverted struts

Rear:

Sport Performance: independent 5-link with twin-tube shock absorbers
MRC Premium: Magnetic Ride Control with monotube shocks

Chassis control:

4-channel StabiliTrak with brake assist and traction control

Differential:

Open: Automatic transmissions with Sport Performance Suspension
Mechanical limited-slip: All Manual transmissions; and Automatic with MRC Premium Suspension

Steering type:

ZF rack-mounted electric, power-assisted and variable assist

Brakes:

4-wheel disc; Brembo® front brakes with fixed calipers; 4-channel ABS/TCS with Dynamic Rear Proportioning

* varies by tire/wheel

WARRANTY & CONTACT



CADILLAC SALES AND SERVICE SPECIALISTS

Whether you are at home or on the road, your Cadillac sales and service specialists are there to offer you truly personal assistance. Count on them to arrange service appointments, answer questions about your new Cadillac and ensure that you are always satisfied with your ownership experience. To find the Cadillac sales and service specialist closest to you, visit www.cadillac europe.com.



WARRANTY

As a Cadillac owner, you should expect nothing less than premium service and protection, which is why your new Cadillac comes with a full 3-year or 100,000 km warranty (whichever comes first), plus a 6-year rust-through guarantee, all backed by an experienced Cadillac service team that will handle any issues with confidence and due care. For more details, ask your Cadillac sales and service specialist.



CADILLAC ROADSIDE ASSISTANCE

In the event of an emergency, help is only a phone call away. Contact Cadillac roadside assistance and they will come to you as quickly as possible – 24 hours a day, 365 days a year. If they cannot get you back on the road straightaway, they will drive you to the nearest Cadillac sales and service specialist. Cadillac roadside assistance is yours free of charge for a period of 36 months from the date of registration. Ask your local Cadillac sales and service specialist for details.

FUEL CONSUMPTION AND EMISSIONS

	CO ₂ emissions (g/km) combined	Fuel consumption (l/100 km)		
		urban	extra-urban	combined
ATS RWD MANUAL	199	12.0	6.5	8.6
ATS RWD AUTOMATIC	191	11.6	6.3	8.2
ATS AWD AUTOMATIC	195	12.0	6.3	8.4

	Fuel efficiency category						
	BE	CH	DE	DK	LU	NL	UK
ATS RWD MANUAL	E	F	E	F	E	E	J
ATS RWD AUTOMATIC	E	F	E	E	E	E	J
ATS AWD AUTOMATIC	E	F	E	E	E	E	J

Fuel consumption data and CO₂ emission data are determined according to Regulation (EC) No. 715/2007, taking into consideration the vehicle mass in running order, as specified by the regulation. Additional equipment may lead to slightly higher results than the stated fuel consumption and CO₂ figures. The figures for fuel consumption and CO₂ emissions do not relate to a specific vehicle and are not part of an offer. They are provided only for the purpose of comparison between different vehicle types. Average CO₂ emission of all new cars sold in Switzerland: 159 g/km.





cadillaceurope.com/ats



PLEASE NOTE: The vehicle shown in this brochure is for illustration purposes only. European specifications may vary. Some illustrations feature special equipment that is not included in standard delivery. The information contained in this brochure was accurate at the time of going to press. We reserve the right to make changes in design and equipment. The colors printed in the brochure only approximate actual colors. Illustrated optional equipment is available at extra charge. Availability, technical features and equipment provided on our vehicles can vary from one market to another and may change without prior notice. Information on recycling design and End of Life Vehicles (ELV) can be found on the website www.cadillaceurope.com. For precise information on the equipment provided on our vehicles, please contact your local Cadillac sales and service specialist.

This material shall not be reprinted, in whole or in part, without the express written permission of General Motors.

© 2012 General Motors. All rights reserved. <http://www.cadillaceurope.com>, Cadillac Europe, Stelzenstrasse 4, CH - 8152 Glattpark (Zurich)