

NEXON **EV** #JET EDITION

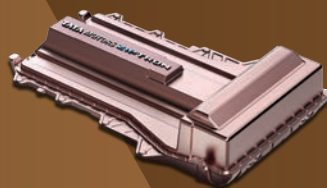
J E T . S E T . E V O L V E .



**EVOLVE TO
ELECTRIC**

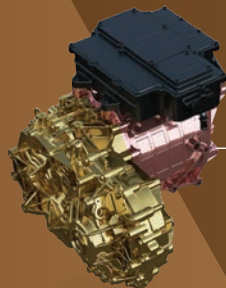
POWERED BY
ZIPTRON
Advanced Electric Drive Experience

Available in Nexon EV MAX and PRIME



Set off on long trips with IP67 rated high energy density Lithium-ion battery pack

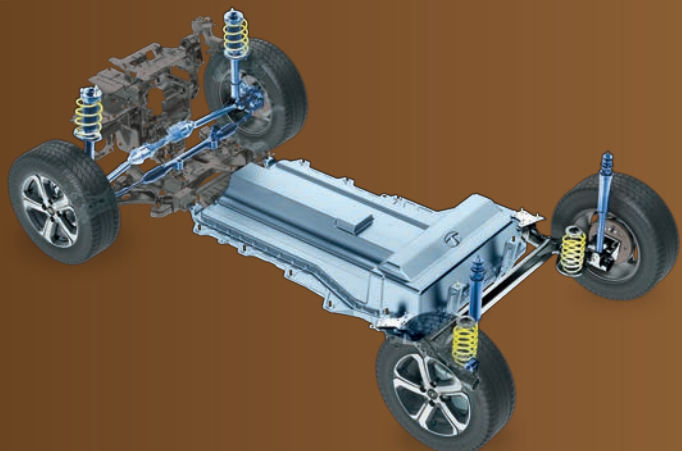
40.5 kWh for Nexon EV MAX with a 437*km range (ARAI certified)
30.2 kWh for Nexon EV Prime with a 312*km range (ARAI certified)



Get off to a flying start with Permanent Magnet Synchronous Motor

143 PS peak output and 250 Nm torque for Nexon EV MAX
129 PS peak torque and 245 Nm torque for Nexon EV Prime

PERFORMANCE UNLEASHED



Dual Path Strut Suspension ensures that wherever you go, you arrive smoothly



Ready to take off in no time

Fast charging in 56[^] minutes for Nexon EV Max | Fast charging in 60^{^^} minutes for Nexon EV Prime

[^]Estimated fast charging time (SOC 0%-80%) from 50 kW DC fast charger under standard test ambient temperature conditions.

^{^^}Estimated fast charging time (SOC 10%-80%) under standard test ambient temperature conditions



ELEVATED INTERIOR

Drive First-class

Spacious and exclusive #JET themed dual-tone Oyster white & Granite black interiors with bronze deco stitch



JET EXCLUSIVE

Elegant cockpit design with techno-steel bronze finish mid-pad

Unique Starlight exterior colour – a dual-tone combination of earthy bronze body and a platinum silver roof

Premium Oyster white leatherette seats with #JET branded headrests

R16 diamond-cut jet black alloy wheels



Jet themed accents in piano black finish