

**DACIA**  
GOOD THINKING

# ALL-NEW DACIA JOGGER



10th January 2023





# THE FAMILY CAR REINVENTED

Featuring the length of an estate, the spaciousness of an MPV and the robust style of an SUV, All-New Dacia Jogger surprises by combining the best of these categories in a 7-seater family car. Versatile, elegant and affordable, All-New Jogger fully embodies the Dacia spirit.



PARKING

JOGGER

Dacia

# DESIGNED FOR ADVENTURE

With its raised ground clearance, emphatic wheel arches and modular roof bars, All-New Dacia Jogger has a robust design that adapts to all roads, making it ideal for families with action-packed lives. In keeping with the times, the new model's Y-shaped brand light confirms its kinship with the new Dacia generation. The LED dipped headlights provide more intense lighting at night. At the rear, the vertical positioning

of the lights broadens the tailgate opening, optimising boot access. Go all out with the Extreme SE, which boasts Glossy Black alloy wheels, door mirrors and a shark-fin aerial, as well as distinctive stickers. Distinctive stickers and protective Megalith Grey skid plates. All-New Dacia Jogger, designed for you and your family.



NEW ALLOY WHEELS



MODULAR ROOF BARS

# MUCH MORE THAN FUNCTIONAL

All-New Jogger's interior design is as functional as it is comfortable. The wide dashboard accentuates the impression of space. A textile strip running across the dashboard\* provides a clean, uncluttered look that makes it easier to read the instrument panel and the multimedia screen above. The lower area provides easy access to the air conditioning and driver assistance system controls. The rear boasts impressive

versatility. Jogger is packed with equipment to make the most of even the most routine of adventures. Keyless entry, a rear view camera and electric parking brake are all standard from Expression trim upwards.

\*depending on version.







JOGGER  
HYBRID 1.4

# MAKE THE MOST OF THE HYBRID VERSION OF JOGGER

Once again, Dacia moves with the times and simplifies day-to-day life with Jogger, available with a hybrid engine. A historic first for Dacia. The result? A competitive hybrid 7-seat family vehicle. And not just any hybrid: its design has been endowed with the new colours available on Jogger, including an elegant and contemporary Shadow Grey. With the HYBRID badge at the rear, you also assert your eco-smart choice.

On board, the ambiance and technology make your journey pleasant and modern: automatic gearbox for easy and smooth driving, a 7" digital cluster unique to Hybrid versions, high central console with armrest and electric parking brake. With Jogger HYBRID 140, enjoy this new-generation vehicle's high level of comfort, provided as standard.



# DISCOVER EVEN MORE FREEDOM

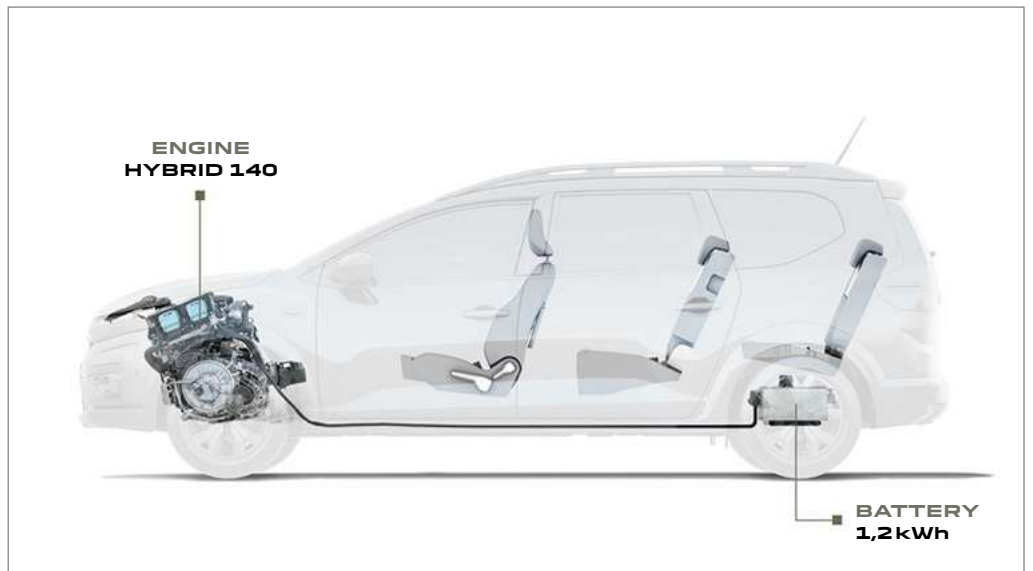
Forget about power cables and sockets while benefiting from the advantages of the electric vehicle. The technology on Dacia Jogger HYBRID 140 seamlessly combines the dynamism of an internal combustion engine with that of an electric engine. Thanks to its high energy recovery level, the battery recharges during braking and deceleration, without plug-in constraint.

It also allows you to drive up to 80% of the time in 100% electric mode in urban cycle. Enjoy fuel savings of up to 40% fuel savings\* in urban areas, reducing CO<sub>2</sub> emissions, in addition to lower running and maintenance costs. The multimode gearbox manages the two engines intelligently to ensure a powerful, smooth and quieter ride. Hybrid: simple with Dacia.

\*Depending on driving conditions.



7" COLOUR CLUSTER WITH DRIVING MODE INFORMATION



SPACE AND MODULARITY IDENTICAL TO THE COMBUSTION ENGINE VERSION



DACIA

JOGGER  
HYBRID 140

JOGGER

# ENJOY ENHANCED TRAVEL

More space and more versatility thanks to a unique approach to spaciousness, with 23,1 litres of useful storage areas for everyday use and multiple configurations to meet all your needs. Three multimedia equipment packages and latest-generation driver assistance systems.







# COMFORT MULTIPLIED BY 7

All-New Jogger embraces the whole family . It takes everyone's needs into account, offering the same level of comfort in all rows. The sculpted seats – adjustable at the front – promise fatigue-free travel for all seven occupants. All-New Jogger also stands apart through well thought-out details and spaciousness. In the second row, there are tray tables\* with cup holders and practical Isofix attachments for child seats. The third row offers record accessibility, with two individual seats with armrests providing

uncompromising accommodation for two adults with generous legroom. Storage spaces totalling 23,1 litres are distributed throughout the passenger compartment to the benefit of all passengers. All-New Jogger adds a new dimension to your on-board experience.

\* featured on Extreme SE versions.



SLIDING TRAY TABLES AT THE REAR

# RECORD MODULARITY

Whatever your plans, the All-New Dacia Jogger offers unique volume and versatility, with removeable 3rd row of seats, a 1/3-2/3 split-folding bench seat in the second row, and multiple possible configurations with 2, 3, 4, 5, 6 or 7 seats. It is as versatile as a Swiss army knife! Enjoy boot volume of up to 1,807 litres\* and a loading height ready to swallow up anything you

care to take with you. Everything has been designed to meet the needs of your family: even the tray tables\*\* in row 2 slide out to adapt to your body shape. You can trust All-New Dacia Jogger to simplify your adventures, be it in the city or further afield.

\* maximum boot volume in dm<sup>3</sup> in accordance with the VDA standard (2094 L) with third row of seats removed and second row folded down.

\*\* depending on version.







DACIA

ESP  
ABS

25°C 10:15 AM

Radio Media Phone

Vehicle Nav Smartphone integration

Set time Settings

PASSENGER  
AIR BAG

ECO

21.0

A/C

# CHOOSE YOUR CONNECTIVITY

Connect according to your needs and priorities. All-New Dacia Jogger is available with three comprehensive multimedia offerings – the choice is yours. Benefit from the ingenious smartphone-controlled Media Control with an integrated smartphone holder designed into the dashboard, Media Display, featuring an 8-inch touchscreen and Media Nav with integrated navigation. Radio, music, Bluetooth, USB, telephone, navigation, voice recognition can all be controlled via the 8" touch screen.

The system of your choice provides the essentials and more, right up to AndroidAuto™ and Apple CarPlay™ smartphone replication on vehicles equipped with the 8" touchscreen (smartphone connection via USB cable). You also get to enjoy 3D sound (Arkamys™ System) thanks to the 6 speakers distributed throughout the passenger compartment, depending on the version.

Android Auto™ is a Google Inc. brand. Apple CarPlay™ is an Apple Inc. brand.



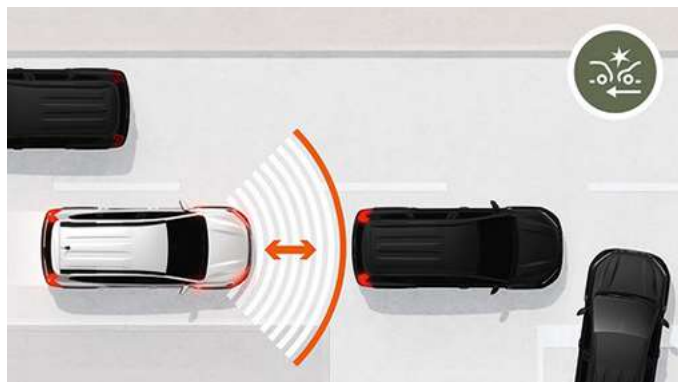
**MEDIA CONTROL**



**MEDIA DISPLAY**

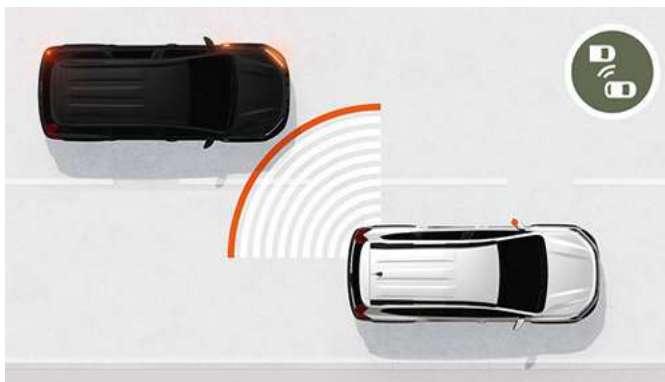
# DRIVE IN COMPLETE SAFETY

At Dacia, safety has always been at the heart of our concerns. Built on the latest platform designed for our vehicles, All-New Dacia Jogger has a reinforced body structure and new-generation assistance systems that make driving easier. Drive with complete peace of mind.



## **AUTOMATIC EMERGENCY BRAKING**

The system is active between 7 and 170 km/h and equipped with a front sensor that monitors the distance between your vehicle and the vehicle in front of you. If the vehicle in front slows down or stops, you are notified by a dual audio and visual warning. If your response is slow or insufficient, braking assistance is automatically applied.



## **BLIND SPOT WARNING**

Active from 30 km/h, this system automatically alerts you, via warning lights in the door mirrors, of the presence of vehicles in your blind spot.



## **AIRBAGS**

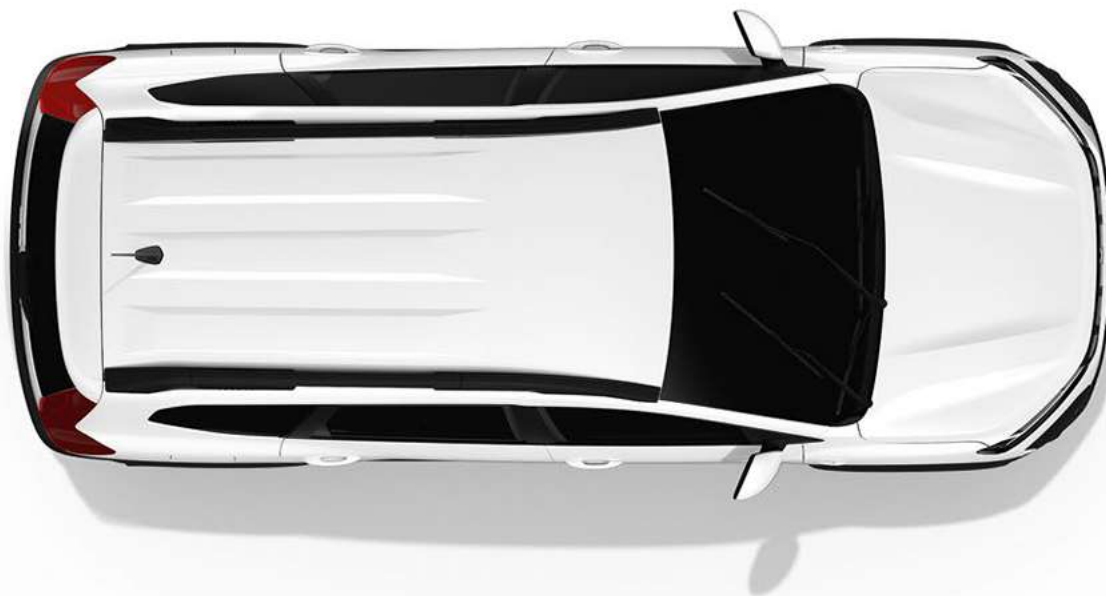
Dacia's new-generation airbags are equipped with door pressure sensors and an accelerometer providing early detection of side collisions. The curtain and side airbags deploy more quickly for optimum protection of the abdomen, chest and head.



Blind spot warning



Cruise control



Rear and front parking sensors



Automatic emergency braking



Hill start assist



Speed limiter

# DACIA JOGGER AMBIANCES

## ESSENTIAL



### MAIN EQUIPMENT ESSENTIAL

#### EXTERIOR APPEARANCE

- New grille with new logo and white trim
- LED light signature (DRL) & LED Automatic front low beam
- Black door handles
- Black door mirrors
- Longitudinal roof bars
- Body colour front and rear bumpers
- 16" steel wheels with full wheel trims
- High ground clearance 200 mm
- Black front and rear skid plates
- 25% tinted windows

#### INTERIOR APPEARANCE

- Fog Grey vent towers and white sliders
- Black door handles
- Parcel shelf (only for 5 seats)
- Essential Upholstery

#### DRIVING AND CONTROLS

- Electric power steering
- Hill start assist
- Stop & Start, Eco mode
- Cruise Control & Speed limiter

#### ACTIVE AND PASSIVE SAFETY

- ABS (Anti-lock Braking System) and EBA (Emergency Brake Assist)
- Intercity Automatic Emergency Braking (AEBs)
- ESP (Electronic Stability Program) + HSA (Hill Start Assist)
- Emergency Call (E-call)
- ESC (Emergency stability control)
- 6 Airbags (front and side Driver & passengers including curtain airbags)
- Front and passenger airbag deactivation
- Front and rear seat belts with pretensioner and force limiter
- Tyre pressure Monitor
- Tyre inflation kit
- ISOFIX fix points for child seats.
- Engine immobilizer

#### COMFORT

- Manual heating system with air conditioning
- Automatic door locking
- Remote door locking
- Front power windows
- Front USB port & 12V Plug
- Height adjustable steering wheel and height adjustable driver seat
- Folding rear bench 1/3 & 2/3 (seat & back)

#### AUDIO

- Media Control: DAB Radio with switches on the steering wheel, display integrated into the trip computer, smartphone support integrated in the dashboard, 2 front speakers, Bluetooth connection + Smartphone application Dacia Media Control

#### OPTIONS

- Metallic paint
- Emergency spare wheel

# DACIA JOGGER AMBIANCES

## EXPRESSION



### MAIN EQUIPMENT EXPRESSION = ESSENTIAL +

#### EXTERIOR APPEARANCE

- Body colour door handles
- Modular roof bars
- 16" steel Flex wheel
- 75% rear tinted windows
- Megalith Grey front and rear skid plates

#### INTERIOR APPEARANCE

- Fog Grey air vents
- Driver's seat armrest
- Steel Grey interior door handles
- Fog Grey interior trim
- Specific Expression upholstery
- Fabric deco parts on the dashboard and front door-armrests

#### DRIVING AND CONTROLS

- Blind Spot Warning
- Rear parking sensors and rear parking camera
- 7" digital instrument cluster (HYBRID 140 versions only)

#### VISIBILITY

- Automatic wipers
- Door mirrors - heated and electrically-adjustable

#### COMFORT

- Soft-feel height & depth adjustable steering wheel
- 12V Plug front & rear
- Height adjustable driver's seat
- Automatic air conditioning
- Keyless entry card

#### AUDIO

- Media Display: Android Auto™ and Apple CarPlay™ compatibility with smartphone replication via USB cable (DAB radio with 8" touch screen and 4 speakers)

#### OPTIONS

- Metallic paint
- Emergency spare wheel

Android Auto™ is a Google Inc. brand. Apple CarPlay™ is an Apple Inc. brand.

# DACIA JOGGER AMBIANCES

## EXTREME SE



### MAIN EQUIPMENT EXTREME = EXPRESSION +

#### EXTERIOR APPEARANCE

- "Extreme" specific outdoor design with lateral stickers
- 16" Black alloy wheels with Extreme decals
- Gloss Black door mirrors
- Gloss Black shark antenna

#### INTERIOR APPEARANCE

- "Extreme" specific upholstery with red stitching
- Extreme SE floor mats
- Steel Grey door opener
- White decoration strips on door panels
- Flight trays for 2<sup>nd</sup> row passengers
- Boot tray

#### AUDIO

- MediaNav<sup>(1)</sup> navigation, DAB radio, smartphone mirroring via USB, Bluetooth connection, six speakers (4 speakers + 2 tweeters), 8" touch screen

#### DRIVING AND CONTROLS

- 7" digital instrument cluster (HYBRID 140 versions only)

#### OPTIONS

- Metallic paint
- Emergency spare wheel

(1) Compatible with Apple CarPlay™ & Android Auto™. Android Auto™ is a trademark of Google Inc. Apple CarPlay™ is a trademark of Apple Inc.

DACIA JOGGER  
COLOUR

---



TERRACOTTA<sup>(1)</sup>



MOONSTONE GREY<sup>(1)</sup>



GLACIER WHITE<sup>(3)</sup>



PEARL BLACK<sup>(1)</sup>



SHADOW GREY<sup>(1)\*</sup>



DUSTY KHAKI<sup>(2)</sup>

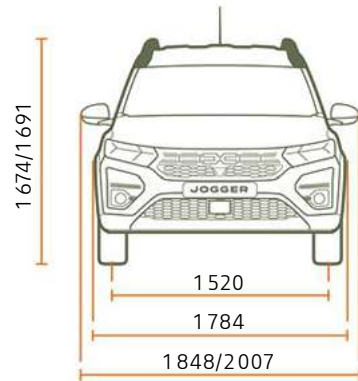


URBAN GREY<sup>(2)</sup>

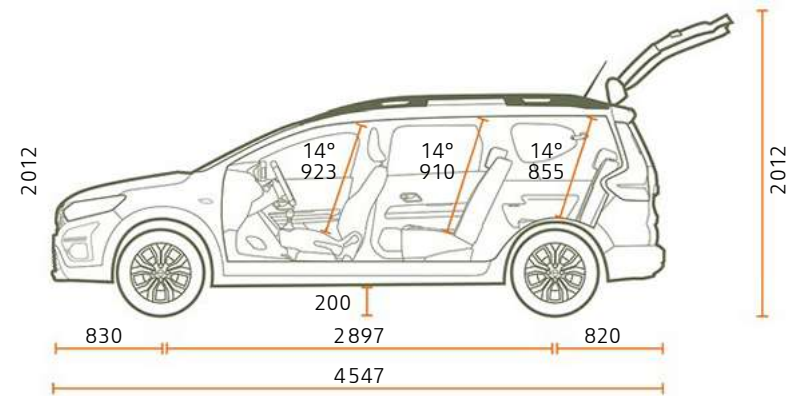
(1) Metallic paint. (2) Opaque paint. (3) Solid paint.  
\*Exclusive to HYBRID 140 versions.

# DIMENSIONS

FRONT VIEW



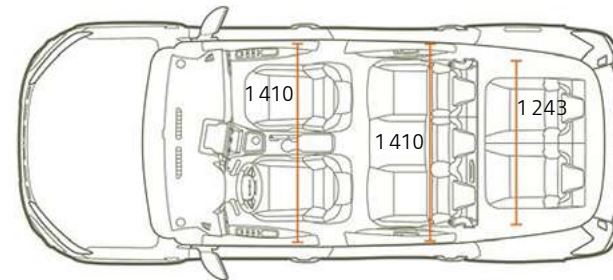
7-SEATER SIDE VIEW



BACK VIEW



TOP VIEW 7-SEATER



**BOOT VOLUME - (in dm<sup>3</sup> - VDA standard / litres)**

**7 SEATS**

Minimum boot volume – (ISO 3832 standard)

160/212

Maximum boot volume – (ISO 3832 standard)

1807/2085

Row 2 in place and row 3 folded down

565/699

Row 2 in place and row 3 removed

696/820

Dimensions in mm.

# DACIA JOGGER ACCESSORIES



## 1. COACH BICYCLE RACK - ON TOW BAR - 3 BIKES - 13 PINS

Make everything easier with this bike rack that can carry up to three bikes. Quick to attach to the tow bar and without the need for any adjustments, it is the ideal solution for frequent use.

1.

## 2. ROOF SPOILER

Accentuate the sporty character of your vehicle.

## 3. SIDE STEPS

Getting in and out of the vehicle or accessing cargo on the roof has never been easier. An accessory that's also essential to enhance the robust style of your new Jogger.

## 4. STORAGE BAG FOR 3<sup>RD</sup> ROW SEAT

Designed specifically for the additional 3<sup>rd</sup> row seat. This allows you to stow away and protect the seat when it is not in use, but also makes it simple to transport or store it.



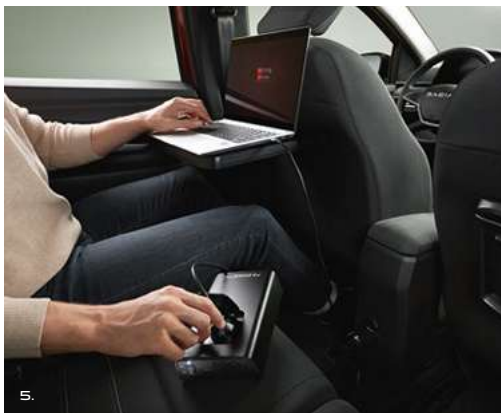
2.



3.



4.



#### **5. SMARTPHONE INDUCTION CHARGER**

Ingenious accessory that makes your daily life easier with convenient, effortless and fast induction charging. There are two possible attachments: on the air vent or on the arm.

#### **6. 12-220V CONVERTER**

Charge all your everyday electrical devices using this converter: computer, drone, scooter or electric bike.

#### **7. EASYFLEX MODULAR BOOT PROTECTION**

Cover your entire boot to transport bulky and dirty items. The non-slip protection folds and unfolds by adapting to the position of the seats, versatile and practical for your daily life and leisure activities.

#### **8. ARMREST WITH STORAGE SPACE AND CUP HOLDER ORGANISER**

Enjoy driving comfort and additional storage with this height-adjustable armrest, compatible with a mid-height console. With the cup-holder organiser, you can store your keys, coins, cans or bottles at your fingertips.

#### **9. RUBBER FLOOR MATS**

Protect the floor of your car interior using rubber mats with raised edges specially designed for your new Jogger. Waterproof and easy to maintain, they can be attached quickly using the safety clips provided for this purpose. An effective solution against dirt, mud and dust.

#### **10. FRONT DOOR SILLS AND PREMIUM TEXTILE FLOOR MATS**

Customise and protect the areas around your vehicle's doors with style. The JOGGER lacquered black finish adds a touch of exclusivity. Add additional protection to your vehicle with textile floor mats. High-quality, practical and easy-to-clean.

## EQUIPMENT &amp; OPTIONS

	ESSENTIAL	EXPRESSION	EXTREME SE
<b>EXTERIOR APPEARANCE</b>			
LED light signature (DRL) & LED front low beam	•/•	•/•	•/•
New brand identity front grille with white detailing	•	•	•
Front and rear bumpers	Body coloured	Body coloured	Body coloured
Skid plates - front and rear	Black	Megalith Grey	Megalith Grey
Lower door protection sticker/ Additional «snorkel» type	-/-	Black/-	Specific Extreme design/•
Outside door handles	Black	Body coloured	Body coloured
Door mirrors	Black	Body coloured	Glossy black
Longitudinal roof bars	•	-	-
Modular longitudinal roof bars	-	•	•
Shark antenna Shiny Black	-	-	•
16" Steel wheels	With hubcap	Flexwheel	-
16" Diamond-cut alloy wheels - gloss black	-	-	•
<b>INTERIOR APPEARANCE</b>			
Airvents surrounds	Fog Grey	Fog Grey	Fog Grey
Door handles	Black	Steel Grey	Steel Grey
Fabric deco parts on the dashboard and front door-armrests/ White deco part on front doors panels	-/-	•/-	•/•
Folding rear bench 1/3 & 2/3	•	•	•
2 Independent Foldable & removable 3 <sup>rd</sup> row seats	•	•	•
Soft feel steering wheel	-	•	•
Floor mats with «Jogger» inscription & Boot protection	-	-	•
Luggage space cover	-	•	•
<b>ACTIVE &amp; PASSIVE SAFETY</b>			
ABS (Anti-block Braking System) and AFU	•	•	•
Advanced Emergency Brake Assist System (AEBS) Interurbain	•	•	•
ESP (Electronic Stability Program) + HSA (Hill Start Assist)	•	•	•
Emergency call (E-call)	•	•	•
Driver's airbag/Front Passenger's airbag with deactivation	•/•	•/•	•/•
Side airbags (thorax & curtains (front + rearm))	•	•	•
Rear seatbelts pyrotechnic with force limiter for side seats	•	•	•
Hill start assist	•	•	•
Rear parking sensors	•	•	•
Rear view camera	-	•	•
Front parking & rear parking sensors + Rear Camera + Blind Spot Warning	-	•	•
Keyless entry card + electric parking brake with central high armrest and storage inside	-	•	•
Electric Parking brake	-	•	•
Tyre Pressure monitor	•	•	•
Inflating kit	•	•	•
Emergency spare wheel	○	○	○
Isofix fixation system for child seats on both rear side seats 2nd row	•	•	•

	ESSENTIAL	EXPRESSION	EXTREME SE
<b>DRIVING AND CONTROLS</b>			
Electric power steering	•	•	•
Stop & Start , ECO Mode	•	•	•
Trip computer: distance, average speed,fuel range, average fuel consumption	•	•	•
Speed limiter with audible warning/ Cruise Control	•	•	•
7" Colour dedicated cluster (Hybrid only)	-	•	•
<b>VISIBILITY</b>			
Front fog lights	•	•	•
Electric adjustable door mirrors	-	•	•
Manually adjustable door mirrors	•	-	-
<b>COMFORT</b>			
Manual air conditioning	•	-	-
Automatic air conditioning	-	•	•
Automatic wiping	-	•	•
Remote door locking and automatic door locking	•	•	•
Keyless entry card	-	•	•
Front power windows	•	-	-
One touch power window for driver side & normal front passenger power window	-	•	•
Electric rear windows	-	•	•
Height & depth adjustable steering wheel	•	•	•
USB port	•	•	•
12V Socket front/rear	•/-	•/•	•/•
Heated front seats	-	-	•
Rear parcel shelves	-	•	•
Tilting rear quarter glass	-	-	•
High central armrest with console storage	-	-	•
<b>AUDIO</b>			
Media Control : DAB Radio with switches on the steering wheel, display integrated in the trip computer, smartphone support integrated in the dashboard, 2 front speakers, Bluetooth connection + Smartphone application Dacia Media Control	•	-	-
Media Display 8": DAB Radio + Smartphone replication via USB cable + Bluetooth connection + 4 speakers + 8" Display	-	•	-
Media Nav <sup>(1)</sup> : MAP CARE navigation (Western or Eastern Europe maps + 6 free updates for 3 years), DAB radio, smartphone replication via USB cable, Bluetooth® connection, 6 speakers (4 speakers + 2 tweeters), 8" touch screen, 1 additional USB at the bottom of the central console	-	-	•

- : not available; • : available as standard; ◦ : available as an option/pack. (1) compatible with Apple CarPlay™ and Android Auto™. Android Auto™ is a Google Inc. brand. Apple CarPlay™ is an Apple Inc. brand.

# DACIA JOGGER PRICING

		CO <sub>2</sub> G/KM WLTP	FUEL TYPE	COMBINED FUEL CONSUMPTION (MPG) - WLTP	BHP	BENEFIT IN KIND	VED YEAR 1	BASIC PRICE	VAT 20%	TOTAL RETAIL PRICE	ON THE ROAD PRICE*
<b>DACIA JOGGER</b>											
<b>Essential</b>	TCe110 MY23	130	Petrol	48.7 (5.8)	110	31%	£190	£13,587.50	£2,717.50	£16,305.00	£17,145
	TCe110 MY23	130	Petrol	48.7 (5.8)	110	31%	£190	£14,670.83	£2,934.17	£17,605.00	£18,445
<b>Expression</b>	HEV 140 MY23	112	Petrol / Electric	56.5 (5)	140	27%	£180	£18,137.50	£3,627.50	£21,765.00	£22,595
	TCe110 MY23	130	Petrol	48.7 (5.8)	110	31%	£190	£15,337.50	£3,067.50	£18,405.00	£19,245
<b>Extreme SE</b>	HEV 140 MY23	111	Petrol / Electric	56.5 (5)	140	27%	£180	£18,804.17	£3,760.83	£22,565.00	£23,395

\*"On the Road" price includes delivery to the dealer premises, number plates, 12 months government road fund license (depending on CO<sub>2</sub> emissions) and First Registration Fee at £55.

## OPTIONS

OPTION	ESSENTIAL	EXPRESSION	EXTREME SE	BASIC PRICE	VAT 20%	TOTAL RETAIL PRICE
Metallic & opaque paint	○	○	○	£541.67	£108.33	£650
Spare Wheel	○	○	○	£250.00	£50.00	£300

# DACIA JOGGER ENGINE

## HYBRID 140

## TCe 110

### ENGINES

Fuel	Petrol	Electric	Petrol
Max. power kW CEE (hp) at an engine speed of (rpm)	103 kW (140) at 5,600 rpm cumulative		81 kW/5,000-5,250 rpm
Max. torque Nm CEE (m.kg) at an engine speed of (rpm)	144 Nm/3,400 rpm + 205 Nm electric		200 Nm/2,900-3,500 rpm
Gearbox type	Automatic multimode		Manual
Type of injection	atmospheric indirect injection	Electric	turbo direct injection
Capacity (cm <sup>3</sup> )	1,598		999
Number of cylinders/valves	4/16		3/12
Emission control standard	Euro6 D-final		

### BATTERIES

traction battery	Lithium-ion / 230V / 1,2 kWh
------------------	------------------------------

### CHASSIS AND STEERING

Tyre dimensions	205/60 R16 92H
Steering - Turning circle, kerb to kerb (m)	11.7
Front suspension	Pseudo McPherson with lower wishbone, spiral spring suspension with telescopic hydraulic shock absorbers and anti-roll bar
Rear suspension	Semi-rigid axle with anti-roll bar spring suspension and telescopic hydraulic shock absorbers

### PERFORMANCE

Maximum speed (km/h)	178 km/h	180 km/h
0-100 km/h (s)	10.1s	11.2s
Mid-range acceleration: 80 km/h - 120 km/h (s) in 4 <sup>th</sup>	7.6 s	8.9 s
	5 <sup>th</sup>	12.3 s
	6 <sup>th</sup>	19.7 s

### FUEL CONSUMPTION AND EMISSIONS<sup>(1)</sup>

Approval protocol	WLTP <sup>(2)</sup>	
Fuel tank capacity (l)	50	50
CO <sub>2</sub> emissions (g/km)	Information to be completed by each country individually	
Consumption over a combined cycle (l/100 km)	Information to be completed by each country individually	

### VOLUMES AND WEIGHTS

Minimum kerb weight	1,385	1,205
Maximum kerb weight	1,406	1,261
Gross train weight (GTW)	2,745	3,062
Maximum permissible laden weight (MPLW)	1,995	1,862
Max. braked towing weight	750	1,200

(1) Official consumption and emissions according to applicable regulations. (2) WLTP (Worldwide Harmonized Light Vehicle Test Procedures): this new protocol provides results much closer to those found in daily use compared to the NEDC protocol. CO<sub>2</sub> emissions are certified using a standard, regulated method. This method is identical for all manufacturers and enables vehicles to be compared.

# DACIA JOGGER

## WE'VE GOT YOU COVERED

You might think our shockingly affordable prices mean our cars aren't made to last. Actually, the Dacia range is one tough cookie. To prove it, you get a 3-year\* warranty (or 60,000 miles, if you reach that first). This means we will replace any part which has been deemed by a Dacia approved dealer to be defective due to a manufacturing fault, free of charge. To keep the good times rolling, you can extend your warranty up to 7 years for a great price. We also give you a 2-year paintwork and 6-year anti-corrosion warranty, so you can kick back knowing that your Dacia will stay looking good-as-new for years to come.

### ROADSIDE ASSISTANCE

Although our cars are built for plain sailing, you can rely on us if you have a breakdown – 24/7 365, wherever you are in the UK or Northern Ireland. This offer also stands for the first 3 years/60,000 miles $\Delta$  after you buy your new Dacia.

### DACIA CAR INSURANCE 1

Dacia Insurance has been specifically created to provide superb protection for you and your car. Unlike most other UK insurers, in the event of an accident, your Dacia will be repaired at a Dacia Approved Bodyshop using only Dacia approved parts and approved repair methods. This maintains your Dacia's safety rating, protects its resale value and helps to maintain its Dacia warranty $\Delta$ . Dacia Insurance also offers a courtesy car for the duration of a repair at a Dacia Approved Bodyshop.

**Dacia car insurance: 0330 102 7795 [www.daciacarinsurance.co.uk](http://www.daciacarinsurance.co.uk)**

Lines are open Mon - Thurs 8.30am - 7pm, Fri 9am - 6pm, Sat 9am - 5pm

### SERVICING

Dacia Service Plans are the ultimate hassle free way to take care of your vehicle. Depending on the Service plan you purchase (see opposite grid) your servicing needs are covered and you benefit from;

- Inflation Proof Servicing – You know exactly what you'll pay and there are no hidden costs
- Peace of Mind – No matter where life takes you, we'll be there in over 5000 workshops across Europe
- Dacia Expertise & Quality – Our highly trained technicians know your Dacia inside out

The Dacia Service Plan contains Dacia services in-line with the manufacturer's service schedule, plus comes with a complimentary vehicle health check to ensure your Dacia is in the best condition possible.

Service plan <sup>^</sup>	Cash Price	Monthly payments with Dacia Finance**	Extended warranty	Total Retail Price
2 years / 20,000 miles Service Plan	-	£4.99 per month	4 years / 60,000 miles <sup>†</sup>	£160
3 years / 30,000 miles Service Plan	£599	£8.99 per month	5 years / 60,000 miles <sup>†</sup>	£300
4 years / 40,000 miles Service Plan	£899	£13.99 per month	6 years / 60,000 miles <sup>†</sup>	£430
<b>Servicing<sup>^</sup> + Extended Warranty Plan</b>			4 years / 100,000 miles <sup>†</sup>	£430
4 years / 60,000 miles	£1,199	£17.99 per month	5 years / 100,000 miles <sup>†</sup>	£560
			6 years / 100,000 miles <sup>†</sup>	£690

Dacia Extended warranty ends when you reach the age or mileage limit (whichever comes first). For full Warranty Terms and Conditions visit [www.dacia.co.uk/warranty-and-assistance/assistance](http://www.dacia.co.uk/warranty-and-assistance/assistance)

### Service Intervals<sup>o</sup>

Annual servicing **OR** servicing at 18,000 miles (whichever comes first)

Service Schedule <sup>o</sup>	Year 1	Year 2	Year 3	Year 4	Year 5	Year 6
	Cabin filter change	Oil change + Cabin filter change	Cabin filter change + Brake fluid change	Oil change + Cabin filter change + Brake fluid change	Cabin filter change + Coolant 150km change	Cabin filter change + Belts 150km change

\*Dacia warranty ends when you reach the age or mileage limit (whichever comes first), from date of registration. Subject to status, terms and conditions apply. For full Dacia Extended Warranty Terms and Conditions visit [www.dacia.co.uk/warranty-and-assistance/warranty](http://www.dacia.co.uk/warranty-and-assistance/warranty)

<sup>^</sup>Roadside assistance for the first 3 year / 60,000 miles, which ever is reached first, from date of registration. For full Terms and Conditions visit [www.dacia.co.uk/warranty-and-assistance/assistance](http://www.dacia.co.uk/warranty-and-assistance/assistance)

<sup>†</sup> Dacia Extended warranties are available to purchase from first date of registration up to end of manufacturer warranty. For full Dacia Extended Warranty Terms and Conditions visit [www.dacia.co.uk/warranty-and-assistance/warranty](http://www.dacia.co.uk/warranty-and-assistance/warranty)

The monthly service plan offer is available at point of signing agreement for vehicle purchased under HP and PCP finance agreement provided by Dacia Finance Ltd. (Not available on cash purchases).

<sup>o</sup> The Service plan offer is available for eligible retail vehicles only and valid at participating dealers only. Vehicles must be ordered between 15 December 2022 to 3 April 2023 and registered by 30 June 2023. The Dacia Service plan covers the manufacturer's minimum maintenance programme requirements for the term of the Service plan purchased (refer to the Warranty and Service sheet in the Handover Document wallet for details). The plan ends when you reach the age or mileage limit (whichever comes first). Services must be carried out in line with the manufacturer's minimum maintenance programme requirements and servicing intervals within +/- 1 month or 1,000 miles of the service interval and can only be carried out at a Dacia Approved outlet. Service plans do not cover wear and tear items such as (but not limited to) tyres, wiper blades or brakes. For Service plan full Terms & Conditions visit [www.dacia.co.uk/services-and-finance/service-plan](http://www.dacia.co.uk/services-and-finance/service-plan). Cannot be part exchanged, refunded or transferred.

<sup>o</sup> The service schedule and intervals are subject to the registration number. Ask your local dealer to confirm your service schedule / intervals as the above is a guideline.

\*\*36 or 48 monthly payments options are only available at point of signing a finance agreement provided by Dacia Finance, Rivers Office Park, Denham Way, Rickmansworth, WD3 9YS. Guarantees and indemnities may be required. You must be a UK resident (excluding the Channel Islands) and over 18 to apply for finance. Terms and conditions apply.

<sup>1</sup> Dacia Insurance is arranged and administered by Verex Insurance Services Ltd, which is registered in England and Wales No. 05686831 at Batchworth House, Church Street, Rickmansworth, Herts, WD3 1JE and authorised and regulated by the Financial Conduct Authority, No. 487185. Verex Insurance Services Ltd arranges policies from a panel of insurers, details are available on request.

<sup>^</sup>If your insurer uses non-approved parts which subsequently fail, they may not be covered under your manufacturer's warranty.

# DRIVE, TRAVEL, ENJOY... NOW THAT'S THE DACIA SPIRIT!

At Dacia, we offer practical, reliable vehicles that offer the best value for money. Models with assertive style but no frills, fitted with the most reliable, tried-and-tested technologies... all at an unbeatable price. In ten years, we have changed the rules of the game and disrupted the car market. Unbelievable?

Not really. Our secret? A perfect blend of simplicity, transparency and accessibility. From the choice of model to price and maintenance, everything is clear and obvious with Dacia. Driving Dacia means being sure you've made the right choice.



**BIGGER, COOLER,  
JOGGER**





Every precaution has been taken to ensure this publication is accurate and up to date when printed. This document has been created using pre-production and prototype models. In line with its policy of continuous product improvement, Dacia reserves the right to modify the specifications, vehicles and accessories described and featured at any time. Any such modifications are communicated to Dacia dealers as quickly as possible. Depending on the country of sale, versions may differ and certain equipment may be unavailable (as standard, optional or as an accessory). Please consult your Dacia brand representative for the latest information. For technical printing reasons, the colours featured in this document may differ slightly from those of the actual paintwork or interior trim. All rights reserved. Reproduction in any format and by any means of all or part of this publication is prohibited without prior written authorisation from Dacia.

Dacia recommends 

PUBLICIS - PHOTO CREDITS : Ben and Martin, P. JOHALL, A. BERNIER, FACTORY 35, MAGROUND, © RENAULT MARKETING 3D-COMMERCE, PAGECRAN - January 2023