

**DACIA**  
GOOD THINKING

# DACIA DUSTER COMMERCIAL



February 2022

# DACIA DUSTER COMMERCIAL

Nothing fazes the Dacia Duster. Open road or off road\*, it'll go wherever you want to go.

With its dominant front grille, ready-for-anything roof bars and new 16-inch wheels, this Van takes on any terrain – and makes it look easy. The added side protection, skid plates and front lighting signature will leave a lasting impression. Ready to go?

Rear seats and seatbelts removed. Fitted wooden floor, load compartment cover, alarm, rubber mats, opaque film over the fixed rear windows as standard.

Rugged, robust and ready for business. It's got everything you need: a payload of up to 503kg, a long, roomy load area and all the tax advantages of a Light Commercial Vehicle, without any of that frivolous nonsense.

We've built our range, which comes in a choice of two trim levels, Essential and Comfort, around the proven TCe 90, TCe 130 and dCi 115 engine, dCi 115 engine and TCe 150 EDC engine on Comfort trim only.

But what if you hanker after some off-road prowess? Not a problem. There's a choice between a two-wheel drive and selectable 4-wheel-drive system (dCi engine), to give you grip and performance in all conditions.

Whatever your trade: florist, plumber, farmer, the New Duster Commercial has it covered. Prices start from a shockingly affordable £13,245 (ex. VAT)\*\*



# DESIGNED FOR YOU AND YOUR BUSINESS

Sometimes you're cruising down the motorway, sometimes you want to get off the main roads and explore uncharted territory\*. Either way, the Dacia Duster Commercial always knows how to respond.

The Hill Descent Control keeps you on top of your speed. And because your eyes can't be in two places at once. The Rear camera detects objects behind you. Talk about smooth sailing.



**HILL DESCENT CONTROL\***



**REAR VIEW CAMERA**

We've added loads of new safety features to the Dacia Duster Commercial.

**The Duster Commercial offers:**

- Seat frames and large front head rests for improved protection.
- Seat Belt Reminder (SBR) with dashboard display and a warning sound if a seat belt is unfastened.
- Bumper damper and bonnet design for improved energy absorption in case of impact.
- Large door mirrors for better driver visibility.

All versions come with ABS and ESC (Electronic Stability Control) amongst a host of standard safety features.

The Duster Commercial isn't just easy on the eye. It helps to keep you safe and sound behind the wheel, too.

**Speed limiter/ Cruise control**

Now you can drive under a pre-set speed without having to check your speedometer. Happy days.

**Automatic Headlight Activation**

The Dacia Duster Commercial offers automatic headlight activation which helps provide a more relaxed safer drive. Bet that's brightened your day...

# LOADING VOLUME AND DIMENSIONS

Meet the perfect companion for any journey. Whether your week is all about work, some surfing fun, or even some intense shopping, the Dacia Duster Commercial's boot compartment can carry everything you need. This boot's loading capacity gives you up to 1623 litres of storage, take what you want, where you want.

LOADING VOLUME & DIMENSIONS	4x2	4x4
Length (mm)	1792	1792
Maximum width (mm)	1247	1247
Minimum width (mm)	977	977
Height under load-compartment cover (mm)	468	365
Height under the roof (mm)	917	814
Useful volume under load-compartment cover (m <sup>3</sup> )	0,82	0,64
Useful volume under the roof (m <sup>3</sup> )	1,62	1,56



# THE HEIGHT OF COMFORT

The Dacia Duster Commercial impresses inside and out. The electrical power-assisted steering offers a smooth driving experience, while the rearview camera\* makes for perfect parking.

Get connected with the 8" Media Display with smartphone replication and 2 USB sockets. Mirror your smartphone apps onto the screen through Apple CarPlay™ or Android Auto®\*\*. Now that's smarter thinking.

When it comes to super comfortable seating, our designers really know what they're doing. Sink into plush seats with enhanced lateral support, armrest†, dense foam, long cushions and a height-adjustment system‡ that'll make every drive a joy.



## ESSENTIAL

---



### MAIN ESSENTIAL EQUIPMENT

#### EXTERIOR APPEARANCE

- 16" Steel Wheels
- Black roof bars with "Duster" inscription
- Black Handles and door mirrors
- Tinted Windows
- Body-coloured front and rear bumpers
- New hot-pressed radiator grille
- DACIA Y-shaped LED signature lights
- Rear Spoiler (CO<sub>2</sub> and design)

#### INTERIOR APPEARANCE

- Essential upholstery
- Foam steering wheel
- Charcoal grey door handles and console surround
- Backlighting steering wheel
- Satin chrome air vents

#### DRIVING AND CONTROLS

- Power-assisted steering
- Cruise control and Speed limiter
- Dusk sensors
- Gear shift indicator
- Eco mode

### VISIBILITY

- Manual adjustable door mirrors

### COMFORT

- Manual air conditioning
- Electric front windows
- Manual rear windows
- Heated Rear windows
- Remote central locking
- Adjustable steering wheel and headrests
- 60/40 Split Folding rear seats

### AUDIO

- Dacia Plug & Radio (Radio MP3, USB, Bluetooth, steering wheel controls, DAB)

### ACTIVE AND PASSIVE SAFETY

- ABS and Emergency Brake Assist
- Airbags - driver's
- Airbags - front side
- Airbags - passenger with deactivation function
- ASR (Traction control) with ESC (Electronic Stability Control)
- Door open - visual and audible warning
- Driver and passenger seatbelt not fastened - visual and audible warning
- Front seat belt pretensioners
- Height-adjustable front headrests
- Height-adjustable front seatbelts

- High-level third rear brake light
- Tyre inflation kit
- Tyre Pressure Monitor

### OPTIONS

- Emergency spare wheel
- Metallic paint

## COMFORT

---



### MAIN ESSENTIAL EQUIPMENT

#### EXTERIOR APPEARANCE

- 16" Alloy Wheels
- Chrome front grille with hot stamping
- Body coloured handles
- Painted black door mirrors

#### INTERIOR APPEARANCE

- Comfort upholstery
- Soft feel steering wheel (leather)
- Chrome logo surround on steering wheel
- Satin Chrome door handles
- Map pockets on front seatbacks

#### DRIVING AND CONTROLS

- Centre differential lock with selectable <<2WD>>, <<Auto>>, and <<Lock>> modes (4x4 only)

#### VISIBILITY

- Heated and electrically adjustable door mirrors
- Front fog lights

### COMFORT

- Rear electric windows
- Central console with sliding armrest and storage (1.1L)
- Front and rear passenger reading light
- Lumbar seat adjustment

### AUDIO

- 8" Media Display smartphone replication (2 USB Sockets + 6 speakers)

### ACTIVE AND PASSIVE SAFETY

- Rear view camera
- Rear parking sensor
- Hill descent Control (4x4 versions only)

### OPTIONS

- Emergency spare wheel
- Metallic paint

DACIA DUSTER COMMERCIAL  
**COLOURS**

**SOLID**



GLACIER WHITE

**METALLIC**



ARIZONA ORANGE



PEARL BLACK



SLATE GREY



IRON BLUE



HIGHLAND GREY



FUSION RED

Go classic or eye-catching, it's your call.

SOLID PAINT		Essential	Comfort		
369	Glacier White			●	●
METALLIC PAINT		Essential	Comfort		
EPY	ARIZONA Orange			○	○
676	Pearl Black			○	○
KNA	Slate Grey			○	○
RQH	Iron Blue			○	○
KQA	Highland Grey			○	○
NPI	Fusion Red	○	○		

● = Standard ○ = Optional - = Not available

# MEET THE BOSS UNDER THE BONNET

All our engines are rigorously tested, over 800,000 kilometres of test driving in fact. So you can relax every time you turn the key.

## PICK THE ENGINE FOR YOUR LIFESTYLE:

The **TCe 90** petrol engine is a great all-rounder

- 3 cylinder, 999cc engine offers you 90 hp and indicative figures of 45.6 mpg combined with CO<sub>2</sub> emissions of 141 g/km\*

For ultimate fuel efficiency, try the **Blue dCi 115** diesel engine in either 2 or 4 wheel drive†

- An impressive 57.6 mpg and CO<sub>2</sub> emissions of only 128-129g/km\*

The **TCe 130** petrol engine offers great performance

- Offering 130hp and a great 45.6 mpg with CO<sub>2</sub> emissions of only 141-142g/km\*

On top of great performance, the **TCe 150** engine offers automatic transmission

- Offering 150hp and 45.6 mpg with CO<sub>2</sub> emissions of only 142 g/km

# BLUE DCi ENGINES

Dacia Duster Commercial benefits from the latest Euro 6 D-Full Blue dCi diesel engines which are equipped with a system to reduce polluting Nitrogen Oxide vehicle emissions by injecting AdBlue®, into the exhaust system. A dashboard message will remind you when the AdBlue® needs topping up via specific AdBlue® filling cap located next to the usual Diesel fuel filler cap. A full tank of AdBlue® will last for 6 full tanks of Diesel.



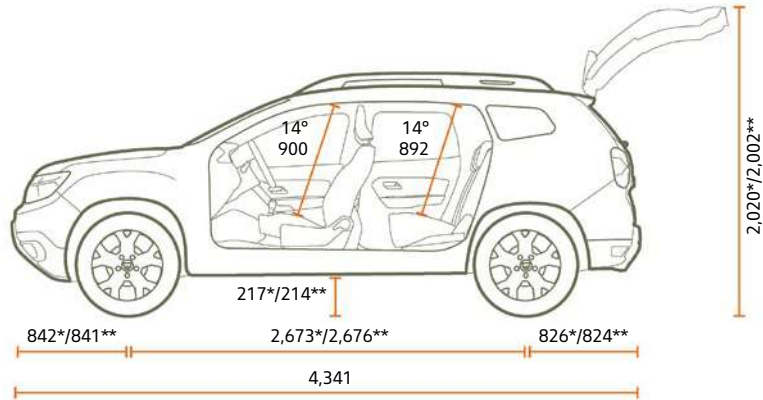
\*WLTP figures shown are for comparability purposes. Actual real world driving results may vary depending on factors such as weather conditions, driving styles, vehicle load or any accessories fitted after registration.

† Figures shown are the 4x2 versions

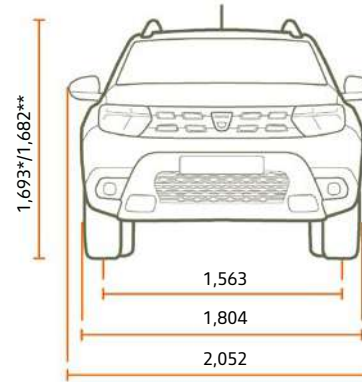
# DACIA DUSTER COMMERCIAL

## DIMENSIONS

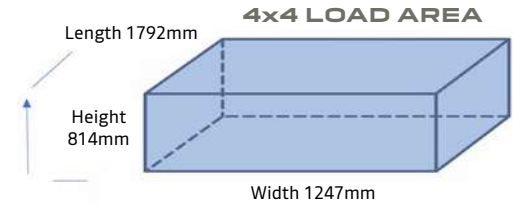
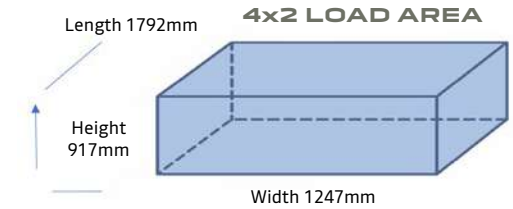
### PROFILE VIEW



### FRONT VIEW



### REAR VIEW



### EXTERIOR DIMENSIONS (mm)

	4x2 (mm)	4x4 (mm)
A - Wheelbase	2673	2676
B - Overall bodywork length	4341	4341
C - Front overhang	842	841
D - Rear overhang	826	824
E - Front track	1563	1563
F - Rear track	1570	1580
G - Overall width without / with door mirrors	1804 / 2052	1804 / 2052
H - Unladen height / with roof bars	1633 / 1693	1621 / 1682
K - Ground clearance (unladen)	217	214
M - Front elbow room	1403	1403
N - Front shoulder width	1383	1383
P1 - Distance between hip joint and ceiling in front seats	900	900
Y - Interior width between wheel arches	977	977

### LOADING VOLUME & DIMENSIONS

	4x2 (mm)	4x4 (mm)
A - Length (mm)		1792
B - Maximum width (mm)		1247
C - Minimum width (mm)		977
D - Height under load-compartment cover (mm)	468	365
Height under the roof (mm)	917	814
Useful volume under the roof (L)	1623	1559

### CLEARANCE ANGLES

	4x2 (mm)	4x4 (mm)
1 Approach angle	29°	29°
2 Ventral angle	21°	18°
3 Departure angle	29°	29°

# DACIA DUSTER COMMERCIAL ENGINES

ENGINES	Tce 90 4x2	TCe 130 4x2	TCe 150 Auto 4x2	Blue dCi 115 4x2	Blue dCi 115 4x4
<b>ENGINE TYPE</b>	Euro 6 D Full HR10DET 4*2	Euro 6 D Full H5H4*2	Euro 6 D Full HR13DDT (H5H) 490 /M3	Euro 6 D Full K9K GEN8 4*2	Euro 6 D Full K9K GEN8 4*4
Cubic capacity (cm <sup>3</sup> )	999	1,332	1,332	1,461	1,461
Number of cylinders/valves	3 cyl / 12	4 in line / 16	4 in line / 16	4 in line / 8	4 in line / 8
Fuel	Unleaded Petrol	Unleaded petrol	Unleaded petrol	Diesel	Diesel
Fuel injection type	Multipoint sequential	Commonrail direct + multipoint injection	Direct injection	Commonrail direct + multipoint injection	Commonrail direct + multipoint injection
Aspiration	Turbocharged	Turbocharged	Turbocharged	Turbocharged	Turbocharged
Particulate filter (PF)	-	Standard	Standard	Standard	Standard
Bore x Stroke	72.2x81.34	72.2x81.34	72.2x81.4	76 x 80.5	76 x 80.5
Peak power kW (Metric HP) @ RPM	67 (90) @ 4,400-4,900	96 (129) @ 4,500-6,000	110 (148) @ 5,250-6,000	85 (115) @ 3,750	85 (115) @ 3,750
Peak torque (Nm) @ RPM	160 @ 2,200-3,750	240 @ 1,600-3,500	250 @ 1,700-3,250	260 @ 1,750-2,750	260 @ 1,750-2,750
Stop and Start	Yes	Yes	Yes	Yes	Yes
<b>PERFORMANCE</b>					
Maximum Speed mph (km/h)	103 (166)	120 (193)	124 (199)	113 (183)	108(175)
0- 62 mph - secs (0-100 km/h)	13.1	10.6	9.7	10.3	10.3
400 m stopping distance (secs)	18.8	17.4	16.8	17.5	17.6
1000 m Stopping distance (secs)	35.4	31.6	31.4	32.2	33.2
<b>FUEL CONSUMPTION AND EMISSIONS</b>					
CO <sub>2</sub> (g/km) WLTP	140	141	142	127	139
Combined cycle - mpg (l/100km) WLTP	45.6 (6.2)	45.6 (6.2)	45.6 (6.2)	57.6 (4.9)	53.3 (5.3)
Low - l/100km WLTP	7.4	7.3	7.7	5.3	5.7
Medium - l/100km WLTP	5.6	5.7	5.9	4.5	5.0
High - l/100km WLTP	5.4	5.4	5.4	4.3	4.6
Extra-High - l/100km WLTP	6.9	6.9	6.7	5.4	6.0
<b>GEARBOX</b>					
Drive type	Front-wheel drive	Front-wheel drive	Front-wheel drive	Front-wheel drive	All-wheel drive (selectable)
Gearbox type	Manual	Manual	DCT (Dual Clutch Transmission)	Manual	Manual
Alliance gearbox code	JX20 M5Fg3	TX26 M6Fg2	DC25D6Fg1	TX26 M6Fg2	TX26 M64g1
Number of forward gears	6	6	6	6	6
Vehicle speeds (mph) per 1000 rpm: in 1st gear	4.23 mph	4.95 mph	4.58 mph	4.95 mph	3.6 mph
Vehicle speeds (mph) per 1000 rpm: in 2nd gear	7.18 mph	8.77 mph	7.96 mph	8.77 mph	6.2 mph
Vehicle speeds (mph) per 1000 rpm: in 3rd gear	10.97 mph	13.97 mph	12.26 mph	13.97 mph	9.8 mph
Vehicle speeds (mph) per 1000 rpm: in 4th gear	15.53 mph	18.95 mph	17.41 mph	18.95 mph	14.4 mph
Vehicle speeds (mph) per 1000 rpm: in 5th gear	20.28 mph	24.21 mph	23.35 mph	24.21 mph	21 mph
Vehicle speeds (mph) per 1000 rpm: in 6th gear	25.66 mph	28.95 mph	30.16 mph	28.95 mph	28.6 mph
<b>STEERING</b>					
Steering			Electrical power-assisted steering		
Turning circle between pavements / walls (m)	10.72	10.72	10.72	10.72	10.72
Number of turns (lock-to-lock)	3.088	3.088	3.088	3.088	3.088
<b>SUSPENSION</b>					
Front suspension type					
Rear suspension type	Flexible axle with programmed deflection and coil springs	Flexible axle with programmed deflection and coil springs	Flexible axle with programmed deflection and coil springs	Flexible axle with programmed deflection and coil springs	McPherson-type multi-link
<b>WHEELS AND TYRES</b>					
Wheel size	215 / 65 R16	215/65 R16		T145/90 R16	215/65 R16
<b>BRAKING</b>					
Front: Ventilated discs - diameter (mm) / thickness (mm)	280/24	280/24	280/24	280 / 24	280 / 24
Rear: Drum - diameter (inches)	9	9	9	9	9
Anti-lock Braking System (ABS)			Yes		
Electronic Brakeforce Distribution (EBD)			Yes		
Emergency Brake Assist (EBA)			Yes		
ESC (Electronic Stability Control)			Yes		
<b>FUEL TANK CAPACITY</b>					
Fuel tank capacity (litres)	50	50	50	50	50
AdBlue tank capacity (litres)	-	-		14.4	14.4
<b>WEIGHT</b>					
Kerb Weight (Excluding Driver) (kg)	Essential/ Comfort 1,231	Essential/ Comfort 1,284	Comfort 1,305	Essential 1,366	Comfort 1,392
Unladen weight on front axle (kg)	711	761	779	803	826
Unladen weight on rear axle (kg)	520	523	526	563	566
Total authorised laden weight (kg)	1,734	1,767	1,778	1,847	1,855
Gross train weight (GTW)	2,934	2,967	2,978	3,047	3,055
Max payload (kg)	503	483	473	481	463
<b>TOWING CAPACITY</b>					
Max Braked Towing Weight (kg)	1,100	1,200	1,200	1,200	1,200
Max Unbraked Towing Weight (kg)	630	655	665	695	710
<b>GROUND CLEARANCE</b>					
Ground clearance (unladen) (mm)	210	210	210	210	210
Wading depth (mm)	450	450	450	450	450

\*WLTP figures shown are for comparability purposes. Actual real world driving results may vary depending on factors such as weather conditions, driving styles, vehicle load or any accessories fitted after registration.

# DACIA DUSTER COMMERCIAL PRICING

	CO <sub>2</sub> g/km WLTP	FUEL TYPE	COMBINED FUEL CONSUMPTION (MPG) - WLTP*	BHP	BENEFIT IN KIND†	INSURANCE GROUP	VED YEAR 1†	BASIC PRICE	VAT 20%	TOTAL RETAIL PRICE	ON THE ROAD PRICE^	
<b>DACIA DUSTER COMMERCIAL</b>												
<b>Essential</b>	TCe 90 4x2 MY22	140	Petrol	45.6 (6.2)	90	31%	25A	275	£13,245.00	£2,649.00	£15,894.00	£16,819
	TCe 130 4x2 MY22	141	Petrol	45.6 (6.2)	130	31%	28A	275	£14,395.00	£2,879.00	£17,274.00	£18,199
	Blue dCi 115 4x2 MY22	127	Diesel	57.6 (4.9)	115	32%	29A	275	£14,795.00	£2,959.00	£17,754.00	£18,679
	Blue dCi 115 4x4 MY22	139	Diesel	53.3 (5.3)	115	34%	29A	275	£16,745.00	£3,349.00	£20,094.00	£21,019
<b>Comfort</b>	TCe 90 4x2 MY22	140	Petrol	45.6 (6.2)	90	31%	26A	275	£14,495.00	£2,899.00	£17,394.00	£18,319
	TCe 130 4x2 MY22	141	Petrol	45.6 (6.2)	130	31%	29A	275	£15,695.00	£3,139.00	£18,834.00	£19,759
	TCe 150 4x2 EDC MY22	142	Petrol	45.6 (6.2)	150	31%	29A	275	£17,395.00	£3,479.00	£20,874.00	£21,799
	Blue dCi 115 4x2 MY22	127	Diesel	57.6 (4.9)	115	32%	29A	275	£16,095.00	£3,219.00	£19,314.00	£20,239
	Blue dCi 115 4x4 MY22	139	Diesel	53.3 (5.3)	115	34%	29A	275	£18,045.00	£3,609.00	£21,654.00	£22,579

\*WLTP figures shown are for comparability purposes. Actual real world driving results may vary depending on factors such as weather conditions, driving styles, vehicle load or any accessories fitted after registration.

†Vehicle Excise Duty: first 12 months.

‡Renault UK Limited does not offer tax advice and recommends that all Company Car Drivers consult their own accountant with regards to their particular tax position.

^All prices shown are the manufacturer's recommended retail prices. The "On the road" price includes delivery to the dealer premises, number plates, 12 months government road fund licence (cost dependent on CO<sub>2</sub> emissions) and First Registration Fee at £55. Other goods or services supplied by agreement between the customer and the dealer are not included.

## OPTIONS

OPTION	ESSENTIAL	COMFORT	BASIC PRICE	VAT 20%	TOTAL RETAIL PRICE^
Metallic paint	o	o	£495.83	£99.17	£595
Spare Wheel (Excluding Bi-Fuel)	o	o	£250.00	£50.00	£300

o: available as an option ^Manufacturer's recommended retail prices

# DACIA DUSTER COMMERCIAL

## WE'VE GOT YOU COVERED

You might think our shockingly affordable prices mean our cars aren't made to last. Actually, the Dacia range is one tough cookie. To prove it, you get a 3-year\* warranty (or 60,000 miles, if you reach that first). This means we will replace any part which has been deemed by a Dacia approved dealer to be defective due to a manufacturing fault, free of charge. To keep the good times rolling, you can extend your warranty up to 7 years for a great price. We also give you a 2-year paintwork and 6-year anti-corrosion warranty, so you can kick back knowing that your Dacia will stay looking good-as-new for years to come.

### ROADSIDE ASSISTANCE

Although our cars are built for plain sailing, you can rely on us if you have a breakdown – 24/7 365, wherever you are in the UK or Northern Ireland. This offer also stands for the first 3 years/60,000 miles $\Delta$  after you buy your new Dacia.

### DACIA CAR INSURANCE 1

Dacia Insurance has been specifically created to provide superb protection for you and your car. Unlike most other UK insurers, in the event of an accident, your Dacia will be repaired at a Dacia Approved Bodyshop using only Dacia approved parts and approved repair methods. This maintains your Dacia's safety rating, protects its resale value and helps to maintain its Dacia warranty $\Delta$ . Dacia Insurance also offers a courtesy car for the duration of a repair at a Dacia Approved Bodyshop.

**Dacia car insurance: 0330 102 7795 [www.daciacarinsurance.co.uk](http://www.daciacarinsurance.co.uk)**

Lines are open Mon - Thurs 8.30am - 7pm, Fri 9am - 6pm, Sat 9am - 5pm

### SERVICING

Dacia Service Plans are the ultimate hassle free way to take care of your vehicle. Depending on the Service plan you purchase (see opposite grid) your servicing needs are covered and you benefit from;

- Inflation Proof Servicing – You know exactly what you'll pay and there are no hidden costs
- Peace of Mind – No matter where life takes you, we'll be there in over 5000 workshops across Europe
- Dacia Expertise & Quality – Our highly trained technicians know your Dacia inside out

The Dacia Service Plan contains Dacia services in-line with the manufacturer's service schedule, plus comes with a complimentary vehicle health check to ensure your Dacia is in the best condition possible.

Service plan <sup>^</sup>	Cash Price	Monthly payments with Dacia Finance**	Extended warranty	Total Retail Price
3 years / 30,000 miles Service Plan	£399	£9.99 per month	4 years / 60,000 miles <sup>†</sup>	£150
4 years / 40,000 miles Service Plan	£699	£11.99 per month	5 years / 60,000 miles <sup>†</sup>	£275
			6 years / 60,000 miles <sup>†</sup>	£400
			4 years / 100,000 miles <sup>†</sup>	£400
			5 years / 100,000 miles <sup>†</sup>	£525
			6 years / 100,000 miles <sup>†</sup>	£650
<b>Servicing<sup>^</sup> + Extended Warranty Plan</b>				
4 years / 60,000 miles	£999	£17.99 per month		

Dacia Extended warranty ends when you reach the age or mileage limit (whichever comes first). For full Warranty Terms and Conditions visit [www.dacia.co.uk/warranty-and-assistance/assistance](http://www.dacia.co.uk/warranty-and-assistance/assistance)

### Service Intervals<sup>o</sup>

Annual servicing **OR** servicing at 18,000 miles (whichever comes first)

Service Schedule <sup>o</sup>	Year 1	Year 2	Year 3	Year 4	Year 5	Year 6
	Cabin filter change	Oil change + Cabin filter change	Cabin filter change + Brake fluid change	Oil change + Cabin filter change + Brake fluid change	Cabin filter change + Coolant 150km change	Cabin filter change + Belts 150km change

\*Dacia warranty ends when you reach the age or mileage limit (whichever comes first). Subject to status, terms and conditions apply. For full Dacia Extended Warranty Terms and Conditions visit [www.dacia.co.uk/warranty-and-assistance/warranty](http://www.dacia.co.uk/warranty-and-assistance/warranty)

<sup>^</sup>Roadside assistance for the first 3 year / 60,000 miles, which ever is reached first. For full Terms and Conditions visit [www.dacia.co.uk/warranty-and-assistance/assistance](http://www.dacia.co.uk/warranty-and-assistance/assistance)

<sup>†</sup> Dacia Extended warranties are available to purchase from first date of registration up to end of manufacturer warranty. For full Dacia Extended Warranty Terms and Conditions visit [www.dacia.co.uk/warranty-and-assistance/warranty](http://www.dacia.co.uk/warranty-and-assistance/warranty)

The monthly service plan offer is available at point of signing agreement for vehicle purchased under HP and PCP finance agreement provided by Dacia Finance Ltd. (Not available on cash purchases).

<sup>o</sup> The Service plan offer is available for eligible retail vehicles only and valid at participating dealers only. Vehicles must be ordered between 01 December 2021 and 31 March 2022 and registered by 30 June 2022. The Dacia Service plan covers the manufacturer's minimum maintenance programme requirements for the term of the Service plan purchased (refer to the Warranty and Service sheet in the Handover Document wallet for details). The plan ends when you reach the age or mileage limit (whichever comes first). Services must be carried out in line with the manufacturer's minimum maintenance programme requirements and servicing intervals within +/- 1 month or 1,000 miles of the service interval and can only be carried out at a Dacia Approved outlet. Service plans do not cover wear and tear items such as (but not limited to) tyres, wiper blades or brakes. For Service plan full Terms & Conditions visit [www.dacia.co.uk/services-and-finance/service-plan](http://www.dacia.co.uk/services-and-finance/service-plan). Cannot be part exchanged, refunded or transferred.

<sup>o</sup> The service schedule and intervals are subject to the registration number. Ask your local dealer to confirm your service schedule / intervals as the above is a guideline.

\*\*36 or 48 monthly payments options are only available at point of signing a finance agreement provided by Dacia Finance, Rivers Office Park, Denham Way, Rickmansworth, WD3 9YS. Guarantees and indemnities may be required. You must be a UK resident (excluding the Channel Islands) and over 18 to apply for finance. Terms and conditions apply.

<sup>1</sup> Dacia Insurance is arranged and administered by Verex Insurance Services Ltd, which is registered in England and Wales No. 05686831 at Batchworth House, Church Street, Rickmansworth, Herts, WD3 1JE and authorised and regulated by the Financial Conduct Authority, No. 487185. Verex Insurance Services Ltd arranges policies from a panel of insurers, details are available on request.

<sup>Δ</sup> If your insurer uses non-approved parts which subsequently fail, they may not be covered under your manufacturer's warranty.

Every precaution has been taken to ensure this publication is accurate and up to date when printed. This document has been created using pre-production and prototype models. In line with its policy of continuous product improvement, Dacia reserves the right to modify the specifications, vehicles and accessories described and featured at any time. Any such modifications are communicated to Dacia dealers as quickly as possible. Depending on the country of sale, versions may differ and certain equipment may be unavailable (as standard, optional or as an accessory). Please consult your Dacia brand representative for the latest information. For technical printing reasons, the colours featured in this document may differ slightly from those of the actual paintwork or interior trim. All rights reserved. Reproduction in any format and by any means of all or part of this publication is prohibited without prior written authorisation from Dacia.

PUBLICIS - PHOTO CREDITS : MARC & DAVID, H. PICARD, TWIN GROUP, © RENAULT MARKETING 3D-COMMERCE - FEBRUARY 2022

Dacia recommends 