

DACIA
GOOD THINKING

NEW DACIA DUSTER



August 2022





**SIMPLY
RUGGED**



MORE DUSTER THAN EVER

Nothing can stop it. Now, more than ever, All-New Duster is the authentic SUV. Its iconic style, its assertive design and the new Dusty Grey and Urban Grey bodywork colour enhance its adventurous character. The new grille sports the new Y-shaped brand light. The headlights feature Eco-LED technology⁽¹⁾ and increase your safety by illuminating the road with even greater efficiency. The restyled rear spoiler, helps reduce

CO₂ emissions while enhancing the bodywork's dynamic appeal. The 16" or 17" alloy wheels add the touch of getting away from it all, which is exclusive to Duster. Everything you need to set off on a great discovery and brave the elements with complete peace of mind, now with automatic windscreen wipers⁽²⁾.

(1) LED on dipped headlights. (2) Depending on version



NEW BRAND LIGHT



RESTYLED FRONT RADIATOR GRILLE

OVERCOME OBSTACLES

Feel free: All-New Duster takes you wherever you want to go with complete peace of mind. With its robust chassis, high ground clearance and off-road capabilities in the 4-wheel drive version, it makes light work of rough terrain and uneven surfaces. Hill Start Assist allows you to tackle the steepest of slopes;



Hill Descent Control* prevents any skidding by controlling the speed of your SUV. The 4x4 Monitor feature with built-in compass and altimeter makes sure you always have the right information at the right time. Adjust the knob*, switch from traction to four-wheel drive and enjoy your adventure playground!

*on 4x4 versions.



COMPASS AND ALTIMETER



4X4 KNOB



URBAN ADVENTURER





DUSTER

P

WINE



CONFIRMED CITY DWELLER

Because adventure begins at the corner of your street, All-New Duster is just as at home in the city. With its electrical power-assisted steering, blind spot warning and brand new EDC automatic gearbox⁽¹⁾, driving has never been so smooth. And on the engine front, All-New Duster offers the choice of petrol or diesel powertrains. The aerodynamics have also been improved with wheel rims, cowlings and mobile flaps between the grille and the engine that improve its movement through the air. Everything has been redesigned, including automatic activation of the ECO innov LED headlights, an even more energy-efficient technology. The city is its territory, and its new auto-fold mirrors⁽²⁾ help it blend even further into its surroundings.

(1) Available with the TCe 150 engine in two-wheel drive. (2) Available on the Journey version.



NEW AUTOMATIC GEARBOX⁽¹⁾

A FULLY-EQUIPPED PASSENGER COMPARTMENT

Inside, comfort is also on the agenda the sliding central armrest offers additional storage space (almost 1.1 L). On the steering wheel, the backlit buttons are easier to identify. The dashboard accommodates a large 8-inch, semi-flush touch screen, as well as two USB ports. Two multimedia systems are now available to meet all individual needs: Media Display and its intuitive, user-friendly interface feature an 8-inch screen, four speakers, Bluetooth® connectivity and smartphone replication with a USB cable compatible with Android Auto™ and Apple CarPlay™.

Media Nav, meanwhile, comes with MAP CARE on-board navigation (Western or Eastern Europe maps + 6 free updates for 3 years on-board) and two additional speakers. In the back, passengers have two USB* sockets for charging tablets and smartphones. Peace of mind on long journeys!

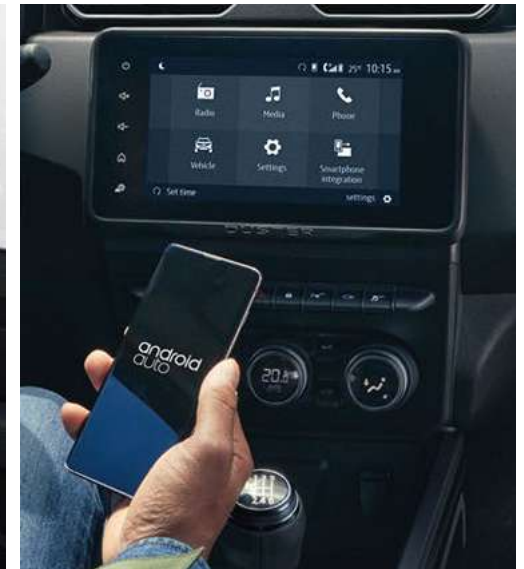
Android Auto™ is a trademark of Google Inc. Apple CarPlay™ is a trademark of Apple Inc.
* Optional depending on version



HIGH CENTRAL CONSOLE WITH SLIDING ARMREST AND STORAGE



NEW UPHOLSTERY AND HEADREST



SMARTPHONE MIRRORING WITH USB CABLE



BOOT SPACE AND FULL OF IDEAS

You won't believe what you can take with you in All-New Duster. So don't hold back! Luggage, parcels, furniture... your SUV is always ready. The extremely modular layout lets you adapt the passenger compartment to your needs or desires: the loading capacity of the boot, the flexibility in using the

interior space (60/40 split fold rear bench seat, but all of the seats can be folded down) maximise your carrying options. The many storage spaces in the doors and on the backs of the front seats invite you to empty your pockets and enjoy freedom while driving!



478 LITRES OF BOOT VOLUME



FOLDING REAR BENCH SEAT

DRIVE IN COMPLETE SAFETY

True adventurers prioritise safety. And New Duster is no exception to this rule, offering features that let you drive with complete peace of mind, wherever you choose to go. A reinforced body structure, front and side airbags and the Isofix child seat mounting system make sure that everyone is protected.



MULTIVIEW CAMERA

The MultiView Camera featured on Journey versions gives you more eyes! It provides front, rear and side views, helping you detect holes, rocks or obstacles that are not always easy to see, and making driving easier for you.



HILL DESCENT CONTROL

Hill Descent Control maintains a slow and constant speed to prevent skidding in the 4x4 version.



AUTOMATIC WINDSCREEN WIPERS

The rain sensor at the top of the windscreen automatically activates the windscreen wipers (featured on Journey versions).



Hill Start Assist



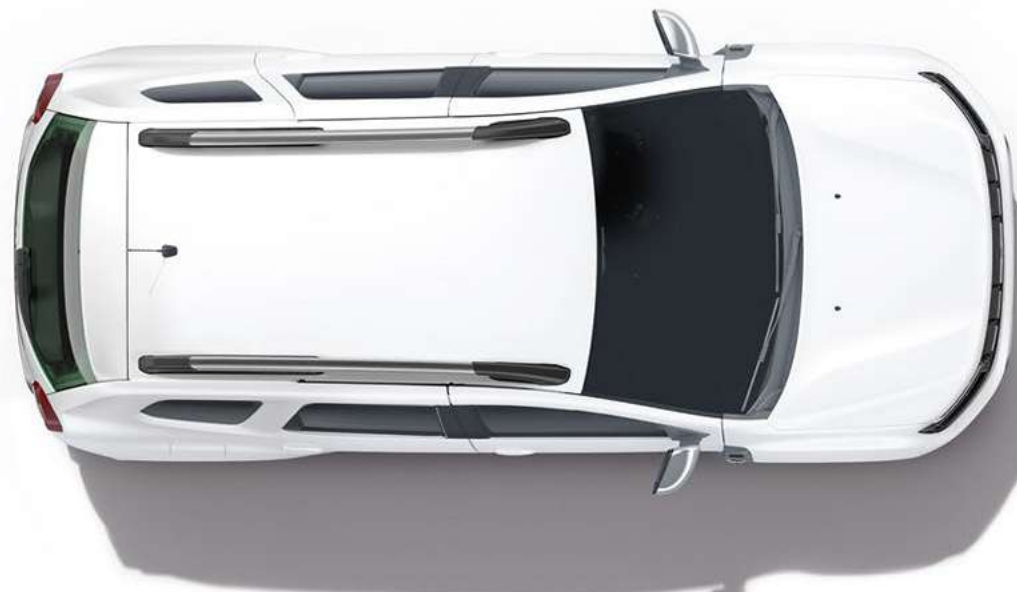
Blind spot warning



Automatic windscreen wipers



Rear parking assist



ABS + Emergency brake assist



Rear view camera



Downhill Hill Descent control



MultiView camera



Cruise control and Speed limiter

DACIA DUSTER
COLOURS



IRON BLUE⁽¹⁾



ARIZONA ORANGE⁽¹⁾



GLACIER WHITE⁽²⁾



SLATE GREY⁽¹⁾



PEARL BLACK⁽¹⁾



URBAN GREY⁽²⁾



DUSTY GREY⁽²⁾

(1) Metallic paint.
(2) Opaque paint.

DACIA DUSTER AMBIANCES

ESSENTIAL



MAIN EQUIPMENT

EXTERIOR APPEARANCE

- 16" Steel wheels
- New Brand Identity
- Black roof bars with "Duster" inscription
- Black door handles and mirrors
- 25% Tinted windows
- Body-coloured front and rear bumpers
- New grille with white inserts
- DACIA Y-shaped LED signature lights

INTERIOR APPEARANCE

- Essential upholstery
- Steering wheel with New Brand Identity
- Foam steering wheel
- Black door handles
- Steel grey console surround
- Backlighting steering wheel
- Steel grey air vent surrounds

DRIVING AND CONTROLS

- Electric power-assisted steering with variable assistance
- Cruise Control and Speed limiter
- Eco mode, Stop & Start and gear change indicator

VISIBILITY

- Manual adjustable door mirrors
- Eco-LED dipped beam headlights
- Automatic headlights with dusk sensor

COMFORT

- Manual air conditioning
- Electric front windows
- Manual rear windows
- Remote central locking
- Height & depth adjustable steering wheel
- 60/40 Split Folding rear seats
- 12V front socket

ACTIVE AND PASSIVE SAFETY

- ABS (anti-lock braking) and EBA (Emergency Brake Assist)
- ESC and Hill start assist
- Driver's front airbag/deactivate front side passenger airbag
- Chest side and head curtain airbags (front and rear)
- ASR (Traction control) with ESC (Electronic Stability Control)
- Child locks in rear doors
- Door open- visual and audible warning
- Isofix mounting system on rear outer seats
- Tyre inflation kit
- Tyre pressure monitor

AUDIO

- Dacia Plug & Radio (Radio MP3, USB, Bluetooth, steering wheel controls, DAB + 4 speakers)

OPTIONS

- Emergency spare wheel
- Metallic paint

DACIA DUSTER AMBIANCES

EXPRESSION



MAIN EQUIPMENT EXPRESSION = ESSENTIAL+

EXTERIOR APPEARANCE

- 16" Alloy Wheels
- Body coloured door handles
- Silver door mirrors

INTERIOR APPEARANCE

- Expression upholstery
- Soft feel steering wheel with Steel grey trim
- Steel grey door handles
- Map pockets on front seatbacks

DRIVING AND CONTROLS

- Centre differential lock with selectable <<2WD>>, <<Auto>>, and <<Lock>> modes (dCI 4x4 versions only)

VISIBILITY

- Heated and electrically adjustable door mirrors
- Front fog lights

COMFORT

- One-touch driver side window
- Electric rear windows
- Central console with sliding armrest and storage (1.1L)
- Driver seat lumbar adjustment
- Drivers seat height adjustment
- Rear 12V socket

ACTIVE AND PASSIVE SAFETY

- Rear view camera
- Rear parking sensor

AUDIO

- 8" Media Display smartphone replication (2 USB Sockets, compatible with Apple CarPlay Atm and Android Auto Atm + 6 speakers)

OPTIONS

- Emergency spare wheel
- Metallic paint

DACIA DUSTER AMBIANCES

JOURNEY



MAIN EQUIPMENT JOURNEY = EXPRESSION+

EXTERIOR APPEARANCE

- 17" Alloy wheels
- Megalith grey roof bars with "Duster" inscription
- Megalith grey door mirrors
- Megalith grey door handles
- Dark glass on lateral rear windows
- Front and rear skid plates

INTERIOR APPEARANCE

- Journey upholstery
- Fog grey interior door handles
- Fog grey interior decorative parts including air conditioning system controls

VISIBILITY

- Automatic windscreen wipers

COMFORT

- Automatic air conditioning
- Heated seats
- Keyless entry
- Automatic electric folding mirrors with control panel on driver's door
- Acoustic windshield
- Glovebox light
- Central courtesy light for rear passengers

ACTIVE AND PASSIVE SAFETY

- Multiview camera
- Blindspot warning

AUDIO

- 8" Media Nav: navigation with Western Europe mapping and 3 yrs (6 updates) subscription included. 6 Speaker DAB radio, smartphone replication via USB cable, compatible with Apple CarPlay ^tm and Android Auto ^tm

OPTIONS

- Emergency spare wheel
- Metallic paint

DACIA DUSTER ACCESSORIES

1. SIDESTEP

A must-have accessory to enhance the 4x4 style of the vehicle. Allows you to reach the load on your roof comfortably.

2. CUSTOMISATION STICKERS

Set of 3 stickers that are perfect for the boot lid, the rear side parts and the door mirror shells, so you can stand out in style.

3. SHARK FIN AERIAL

Add an elegant touch with this shark fin aerial, which merges seamlessly into the lines of your vehicle.

4. CHROME FRONT AND SIDE STYLE BARS

Enhance the rugged and powerful look of your All-New Duster to help your vehicle assert its personality and stand out from the crowd!

5. VENT-MOUNTED INDUCTION SMARTPHONE CHARGER

It provides total comfort and simplicity! Ideal for charging your smartphone by induction in your vehicle.

6. ILLUMINATED DOOR SILLS AND PREMIUM MATS

The Duster sills with timed white lighting ensure an elegant and modern look as soon as you open the door. Enjoy the premium quality of the 4 mats, which provide full protection for the passenger compartment floor.



1.



2.



3.



4.



5.



6.



7.



8.



9.



10.



11.



12.

7. BOOT CONTAINER AND BOOT SILL
Ideal for transporting dirty items, the boot container provides effective protection for the original carpet. The practical and made-to-measure stainless steel boot sill enhances the bumper and adds a touch of style.

8. RUBBER FLOOR MATS
With raised edges and now including a 5th mat for the rear central section, our rubber mats protect dirt-attracting surfaces inside the vehicle.

9. PROTECTION FOR LOWER DOORS, FRONT AND REAR WING EXTENDERS (WITH FRONT SENSOR), DOOR EDGES AND DOOR MIRRORS
Accentuate your All-New Duster's rugged styling while protecting the bottom of its doors and wheel arches. With the flexible protection for door edges and door mirrors, you can forget about paintwork chips and small everyday dents.

10. ROOF LOCKER ON ROOF BARS
Increase your Duster's carrying capacity. The aluminium roof bars meet the highest applicable safety and strength standards.

11. ARMREST AND CUP HOLDER ORGANISER
Improve your comfort and enjoy additional storage space with the fixed armrest on the driver's seat compatible with the half-height console. The cup holder organiser gives you maximum space for keys, coins, cans or bottles.

12. TOOL-FREE REMOVABLE TOWBAR BICYCLE RACK
Quickly, easily and safely take your bikes anywhere using the towbar that can be removed quickly and without tools.

DACIA DUSTER ENGINES

	TCe 90	TCe 100 Bi-fuel	TCe 130	TCe 150 EDC
ENGINES				
Fuel	Petrol	Petrol + LPG	Petrol	Petrol
Fiscal rating (hp)	5		7	8
Max. power kW EEC (hp) at an engine speed of (rpm)	67 (90 hp) at 4,400-4,900	67/74 (90 hp/100 hp) at 4,400-4,900/4,600-5,000	96 (130 hp) at 4,500-6,000	110 (150 hp) at 5,250-6,000
Max torque Nm EEC (m.kg) at an engine speed of (rpm)	160 at 2,200-3,750	160/170 at 2,200-3,750/2,000-3,500	240 at 1,600/3,500	250 at 1,700-3,250
Type of Injection	Sequential multipoint	Sequential multipoint	Direct injection	Direct injection
Capacity (cc)	999	999	1,332	1,332
No. of cylinders/valves	3 cylinders/12 valves	3 cylinders/12 valves	4 cylinders/16 valves	4 cylinders/16 valves
Emission control standard	Euro 6	Euro 6	Euro 6	Euro 6
Particle filter ⁽¹⁾	Yes	Yes	Yes	Yes
Stop & Start ⁽²⁾	Yes	Yes	Yes	Yes
PERFORMANCE				
Top speed (km/h)/0-100 km/h (s)	166/13.1	168/13.8	193/10.6	199/9.7
1,000 m from standing start (s)	35.4	36.2	31.6	31.4
GEARBOX AND TRANSMISSION				
Transmission	4x2	4x2	4x2	4x2
Gearbox type / Number of gears	Manual/6	Manual/6	Manual/6	Automatic/6
STEERING				
Steering	Electrical power-assisted steering			
Turning circle, kerb to kerb (m)	10.72	10.72	10.72	10.72
BRAKING				
Front: ventilated disc (VD)/diameter (mm)	(VD)/280	(VD)/280	(VD)/280	(VD)/280
Rear: drum (D)/diameter (inches)	(D)/9	(D)/9	(D)/9	(D)/9
WHEELS AND TYRES				
Reference tyre sizes	215/65 R16 & 215/60 R17			
FUEL CONSUMPTION AND EMISSIONS⁽³⁾				
Approval protocol	WLTP ⁽⁴⁾			
Eco mode	Yes	Yes	Yes	Yes
Fuel tank capacity (L)	50	Petrol: 50 - LPG(3): 48.8	50	50
AdBlue [®] tank capacity ⁽⁴⁾ (l)	-	-	-	-
CO ₂ emissions (g/km)	140	Petrol: 145 / LPG: 127	141	142
Consumption over a combined cycle (mpg)	45.6	Petrol: 44.1 / LPG: 40.4-40.9	45.6	44.8
Consumption over a low cycle (mpg)	38.2	Petrol: 36.7 / LPG: 30.0	38.7	36.7
Consumption over medium cycle (mpg)	50.4	Petrol: 47.9 / LPG: 42.8 - 43.5	49.6	47.9
Consumption over a high cycle (mpg)	52.3	Petrol: 50.4 - 51.4 / LPG: 47.1 - 48.7	52.3	52.3
Consumption over an extra high cycle (mpg)	41.5	Petrol: 40.4 - 40.9 / LPG: 39.2 - 40.4	41.5	42.2
WEIGHT (kg) AND VOLUME				
Max. unladen kerb weight	1,189	1,289	1,242	1,263
Gross train weight (GTW)	2,934	2,967	2,967	2,978
Maximum permissible laden weight (MPLW)	1,734	1,767	1,767	1,778
Max./min. payload ⁽⁵⁾	460/545	460-478	460/525	450/515
Max. braked towing weight	1,200	1,000	1,200	1,200
Max. unbraked towing weight	630	680	655	665
Min. boot volume under luggage space cover with repair kit /with spare wheel ⁽⁶⁾ (dm ³ VDA)	445/445	445	445/445	445/445
Max. boot volume with rear bench seat folded down with repair kit/with spare wheel ⁽⁶⁾ (dm ³ VDA)	1,478/1,478	1,478	1,478/1,478	1,478/1,478
Min. boot volume under luggage space cover with repair kit/with spare wheel (litres)	478/478	478	478/478	478/478
Max. boot volume with rear bench seat folded down with repair kit/with spare wheel (litres)	1,623/1,623	1,623	1,623/1,623	1,623/1,623

	Blue dCi 115	Blue dCi 115 4x4
ENGINES		
Fuel	Diesel	Diesel
Fiscal rating (hp)	6	6
Max. power kW EEC (hp) at an engine speed of (rpm)	85 (115 hp) at 3,750	84 (115 hp) at 3,750
Max torque Nm EEC (m.kg) at an engine speed of (rpm)	260 at 1,750-2,750	260 at 1,750-2,750
Type of Injection	Direct injection	Direct injection
Capacity (cm ³)	1,461	1,461
No. of cylinders/valves	4 cylinders/8 valves	4 cylinders/8 valves
Emission control standard	Euro 6	Euro 6
Particle filter ⁽¹⁾	Yes	Yes
Stop & Start ⁽²⁾	Yes	Yes
PERFORMANCE		
Top speed (km/h)/0-100 km/h (s)	180/10.2	175/10.2
1,000 m from standing start (s)	32.2	33.2
GEARBOX AND TRANSMISSION		
Transmission	4x2	4x4
Gearbox type / Number of gears	Manual/6	Manual/6
STEERING		
Steering	Electrical power-assisted steering	Electrical power-assisted steering
Turning circle, kerb to kerb (m)	10.72	10.72
BRAKING		
Front: ventilated disc (VD)/diameter (mm)	(VD)/280	(VD)/280
Rear: drum (D)/diameter (inches)	(D)/9	(D)/9
WHEELS AND TYRES		
Reference tyre sizes	215/65 R16 & 215/60 R17	
FUEL CONSUMPTION AND EMISSIONS⁽³⁾		
Approval protocol	WLTP ⁽⁴⁾	
Eco mode	Yes	Yes
Fuel tank capacity (L)	50	50
AdBlue [®] tank capacity ⁽⁴⁾ (l)	15.1	15.1
CO ₂ emissions (g/km)	127	139
Consumption over a combined cycle (mpg)	58.9	53.3
Consumption over a low cycle (mpg)	54.3	47.9
Consumption over medium cycle (mpg)	61.4	56.5
Consumption over a high cycle (mpg)	67.3	61.4
Consumption over an extra high cycle (mpg)	51.4	47.9
WEIGHT (kg) AND VOLUME		
Max. unladen kerb weight	1,350	1,439
Gross train weight (GTW)	2,998	3,445
Maximum permissible laden weight (MPLW)	1,798	1,945
Max./min. payload ⁽⁵⁾	460/490	460/513
Max. braked towing weight	1,200	1,500
Max. unbraked towing weight	690	740
Min. boot volume under luggage space cover with repair kit /with spare wheel ⁽⁶⁾ (dm ³ VDA)	471/428	411/376
Max. boot volume with rear bench seat folded down with repair kit/with spare wheel ⁽⁶⁾ (dm ³ VDA)	1,504/1,461	1,444/1,409
Min. boot volume under luggage space cover with repair kit/with spare wheel (litres)	494/471	467/414
Max. boot volume with rear bench seat folded down with repair kit/with spare wheel (litres)	1,574/1,551	1,614/1,559

(1) Petrol engines with particle filter (DPF): to reduce particle emissions, the new direct injection petrol engines now include a particle filter in the exhaust line. The filter removes particles in the exhaust gases, then burns them using automatic and very regular regeneration. The particle filter requires no maintenance. (2) The vehicle's starter and battery are adjusted for use with the Stop & Start system. (3) Official consumption and emissions according to applicable regulations. (4) Blue dCi Diesel engines: to reduce pollutant emissions, the new Blue dCi Diesel engines are equipped with a selective catalytic reduction device (SCR*) operating with AdBlue[®] (a non-toxic solution, available at most service stations). This technology converts the nitrogen oxides from Diesel engines into harmless gases. Your vehicle reminds you when it is time to refill the AdBlue[®] tank. *Selective catalytic reduction involves injecting ammonia (NH₃) from the AdBlue[®] into the exhaust catalytic converter. The resulting chemical reaction transforms nitrogen oxides (NOx) into non-polluting gases (water vapour and harmless nitrogen). Actual fuel and AdBlue[®] consumption depends on vehicle use, equipment, the user's driving style and the load. (4) WLTP (Worldwide Harmonized Light Vehicle Test Procedures): this new protocol provides results much closer to those found in daily use compared to the NEDC protocol. Fuel consumption and CO₂ emissions are certified using a standard, regulated method. It is identical for all manufacturers and allows vehicles to be compared. (5) The payload indicated is for the lowest equipment level. (6) According to ISO standard 3832.

EQUIPMENT & OPTIONS

	ESSENTIAL	EXPRESSION	JOURNEY
EXTERNAL APPEARANCE			
LED brand light	•	•	•
Automatic activation of daytime running lights	•	•	•
Grille with white hubcaps	•	•	•
Front and rear skid plates	Black	Black	Megalith Grey
Exterior door handles	Black	Body-coloured	Body-coloured
Door mirrors	Black	Silver	Megalith Grey
Roof bars	Black	Black	Megalith Grey
Tinted windows (rear, quarter panels, tailgate)	-	-	•
16" steel wheels	•	-	-
16" Oraga alloy wheels	-	•	-
17" Tergan alloy wheels	-	-	•
SEATS AND INTERIOR TRIMS			
Air vent surrounds	Steel Grey	Steel Grey	Steel Grey
Interior door handles	Black	Steel Grey	Fog Grey
1/3- 2/3 split-fold rear bench seatback	•	•	•
Soft feel steering wheel (plastic-coated fabric)	•	-	-
Synthetic leather steering wheel	-	•	•
Special Essential upholstery	•	-	-
Special Expression upholstery	-	•	-
Special Journey upholstery	-	-	•
ACTIVE AND PASSIVE SAFETY			
ABS (Anti-lock Braking System) + EBA (Emergency Brake Assist)	•	•	•
Electronic Stability Control (ESC) ⁽¹⁾ with Hill Start Assist (HSA)	•	•	•
Driver's front airbag	•	•	•
Passenger's front airbag, disconnectable	•	•	•
Shoulder and curtain side airbags	•	•	•
Front and rear seat belts with pyrotechnic pretensioner	•	•	•
Tyre pressure detection	•	•	•
3 rd 3-point rear seat belt (inertia reel)	•	•	•
Blind spot warning	-	-	•
Spare wheel ⁽²⁾	o	o	o
Tyre inflation kit	•	•	•
Isofix child seat mounting system on rear side seats	•	•	•
DRIVING AND CONTROL INSTRUMENTS			
Electrical power-assisted steering	•	•	•
11-function on-board computer (LCD screen): total distance recorder, trip distance recorder, fuel used, average fuel consumption, projected range, average speed, servicing/oil change intervals, gear change indicator, exterior temperature, clock and fuel gauge	•	-	-
13-function on-board computer (TFT screen): total distance recorder, trip distance recorder, fuel used, average fuel consumption, projected range, average speed, servicing/oil change intervals, gear change indicator, driving speed, language setting, door open warning light, clock, exterior temperature ⁽¹⁾	-	•	•
Visual and audible front seat belt warning	•	•	•
Eco Mode (Euro 6) + Stop & Start + gear change indicator	•	•	•
Hill Descent Control system (only on 4x4)	•	•	•
Speed limiter	•	-	-
Cruise control and speed limiter	•	•	•

	ESSENTIAL	EXPRESSION	JOURNEY
DRIVING AND CONTROL INSTRUMENTS (CONTINUED)			
Rear parking sensors	-	•	•
Rear view camera	-	•	•
Multiview camera	-	-	•
VISIBILITY			
Front fog lights	-	•	•
Heated rear screen/timed rear screen wiper	•/•	•/•	•/•
Door mirrors with interior manual adjustment	•	-	-
Heated electric door mirrors	-	•	•
Automatic windscreen wipers	-	-	•
COMFORT			
Manual heating and air conditioning system	•	•	-
Automatic heating and air conditioning system	-	-	•
Automatic folding door mirrors	-	-	•
Electric door locking with radio frequency remote	•	•	-
Keyless entry	-	-	•
Electric front windows	•	•	•
Electric rear windows	-	•	•
Steering wheel adjustable for height and reach	•	•	•
Height-adjustable driver's seat	-	•	•
Height-adjustable driver's seat with lumbar adjustment	-	•	•
Semi-high centre console with sliding armrest and storage	-	-	•
Semi-high centre console with sliding armrest and storage, and 2 USB ports at the rear	-	•	o
Driver's front reading light with 20-second timer	•	-	-
2 front reading lights (driver's with 20-second timer and passenger)	-	•	•
1 reading light for rear passengers	-	-	•
12 V sockets front/rear	•/-	•/•	•/•
Glovebox lighting	-	-	•
Boot lighting	•	•	•
Heated front seats	-	-	•
AUDIO			
Plug & Music: DAB MP3 radio, USB and jack ports, 4 speakers, Bluetooth® telephone with steering wheel controls	•	-	-
8" Media Display: DAB radio, smartphone mirroring via USB cable, Bluetooth® connection, 4 speakers, 8" touchscreen	-	•	-
8" Media Nav: navigation with CARE MAP (map of Western Europe or Eastern Europe + 6 free updates for 3 years), DAB radio, smartphone mirroring via USB cable, Bluetooth® connection, 6 speakers, 8" touchscreen	-	-	•

• : available as standard; o: available as an option; - : not available. (1) Disconnectable only on 4x4 versions. (2) The "spare wheel + jack" option replaces the "tyre inflation kit". (3) Navigation Pack not compatible with City Pack.

DACIA DUSTER PRICING

		CO ₂ G/KM WLTP	FUEL TYPE	COMBINED FUEL CONSUMPTION (MPG) - WLTP	BHP	BENEFIT IN KIND	VED YEAR 1	BASIC PRICE	VAT 20%	TOTAL RETAIL PRICE	ON THE ROAD PRICE*
DACIA DUSTER											
Essential	TcE 90 4x2 MY22	140	Petrol	45.6 (6.2)	90	31%	230	£12,012.50	£2,402.50	£14,415.00	£15,295
	TcE 90 4x2	140	Petrol	45.6 (6.2)	90	31%	230	£13,262.50	£2,652.50	£15,915.00	£16,795
	100 Bi-Fuel 4x2	145 (Petrol)/127(LPG)	Petrol/LPG	44.1 (6.4) / 40.4 (7)	100	36%	220	£13,687.50	£2,737.50	£16,425.00	£17,295
Expression	TcE 130 4x2	141	Petrol	45.6 (6.2)	130	31%	230	£14,387.50	£2,877.50	£17,265.00	£18,145
	TcE 150 4x2 EDC	142	Petrol	44.8 (6.3)	150	31%	230	£16,054.17	£3,210.83	£19,265.00	£20,145
	Blue dCi 115 4x2	127	Diesel	57.6 (4.9)	115	32%	190	£14,837.50	£2,967.50	£17,805.00	£18,645
	Blue dCi 115 4x4	140	Diesel	53.3 (5.3)	115	34%	230	£16,720.83	£3,344.17	£20,065.00	£20,945
Journey	TcE 90 4x2 MY23	140	Petrol	45.6 (6.2)	90	31%	230	£14,262.50	£2,852.50	£17,115.00	£17,995
	TcE 100 Bi-Fuel 4x2 MY23	145 (Petrol)/127(LPG)	Petrol/LPG	44.1 (6.4) / 40.4 (7)	100	36%	220	£14,687.50	£2,937.50	£17,625.00	£18,495
	TcE 130 4x2 MY23	141	Petrol	45.6 (6.2)	130	31%	230	£15,387.50	£3,077.50	£18,465.00	£19,345
	TcE 150 4x2 EDC MY23	142	Petrol	44.8 (6.3)	150	31%	230	£17,054.17	£3,410.83	£20,465.00	£21,345
	Blue dCi 115 4x2 MY23	127	Diesel	57.6 (4.9)	115	32%	190	£15,837.50	£3,167.50	£19,005.00	£19,845
	Blue dCi 115 4x4 MY23	140	Diesel	53.3 (5.3)	115	34%	230	£17,720.83	£3,544.17	£21,265.00	£22,145

* "On the Road" price includes delivery to the dealer premises, number plates, 12 months government road fund license (depending on CO₂ emissions) and First Registration Fee at £55.

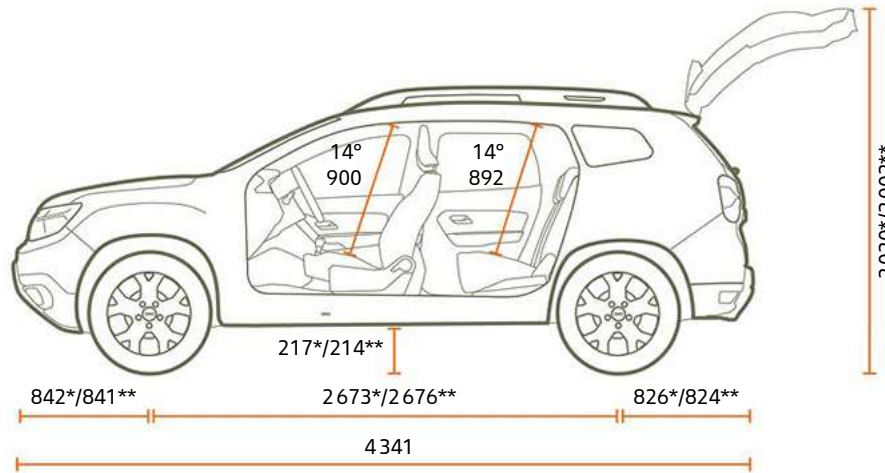
OPTIONS

	ESSENTIAL	EXPRESSION	JOURNEY	BASIC PRICE	VAT 20%	TOTAL RETAIL PRICE
OPTION						
Metallic paint	o	o	o	£495.83	£99.17	£595
Spare Wheel (Excluding Bi-Fuel)	o	o	o	£250.00	£50.00	£300

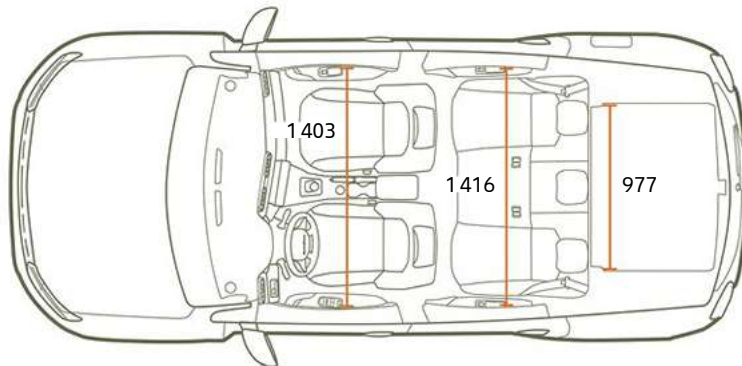
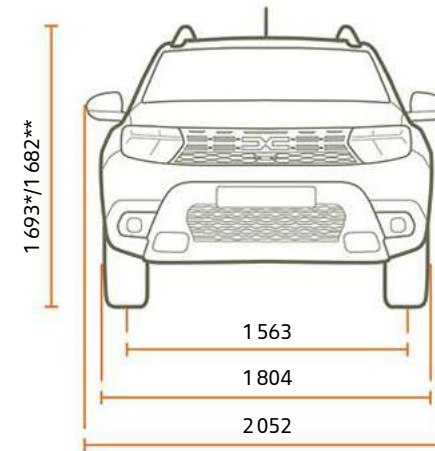
DACIA DUSTER

DIMENSIONS

PROFILE VIEW



FRONT VIEW



REAR VIEW



BOOT (L)

Min. boot volume under luggage space cover with spare wheel (4x2/4x4)	478/414
Max. boot volume with rear bench seat folded down with spare wheel (4x2/4x4)	1,623/1,559

Dimension in mm. *Version 4x2. **Version 4x4

Drive, travel, enjoy...

NOW THAT'S THE DACIA SPIRIT!

At Dacia, we produce practical, reliable vehicles that offer the best value for money. Models with assertive style but no frills, fitted with the most reliable, tried-and-tested technologies... all at an unbeatable price. In fifteen years, we have changed the rules of the game and disrupted the car market. Unbelievable?

Not really. Our secret? A perfect blend of simplicity, transparency and accessibility. From the choice of model to price and maintenance, everything is clear and obvious with Dacia. Driving Dacia means being sure you've made the right choice.



A desert landscape featuring a large, prominent rock formation in the center. The rock is reddish-brown and has a jagged, layered appearance. In the foreground, a dark asphalt road with a white line runs across the bottom of the frame. The background shows more rugged, rocky terrain under a cloudy sky. The overall scene is arid and rugged.

THE AUTHENTIC SUV



DACIA DUSTER

WE'VE GOT YOU COVERED

You might think our shockingly affordable prices mean our cars aren't made to last. Actually, the Dacia range is one tough cookie. To prove it, you get a 3-year* warranty (or 60,000 miles, if you reach that first). This means we will replace any part which has been deemed by a Dacia approved dealer to be defective due to a manufacturing fault, free of charge. To keep the good times rolling, you can extend your warranty up to 7 years for a great price. We also give you a 2-year paintwork and 6-year anti-corrosion warranty, so you can kick back knowing that your Dacia will stay looking good-as-new for years to come.

ROADSIDE ASSISTANCE

Although our cars are built for plain sailing, you can rely on us if you have a breakdown – 24/7 365, wherever you are in the UK or Northern Ireland. This offer also stands for the first 3 years/60,000 miles Δ after you buy your new Dacia.

DACIA CAR INSURANCE 1

Dacia Insurance has been specifically created to provide superb protection for you and your car. Unlike most other UK insurers, in the event of an accident, your Dacia will be repaired at a Dacia Approved Bodyshop using only Dacia approved parts and approved repair methods. This maintains your Dacia's safety rating, protects its resale value and helps to maintain its Dacia warranty Δ . Dacia Insurance also offers a courtesy car for the duration of a repair at a Dacia Approved Bodyshop.

Dacia car insurance: 0330 102 7795 www.daciacarinsurance.co.uk

Lines are open Mon - Thurs 8.30am - 7pm, Fri 9am - 6pm, Sat 9am - 5pm

SERVICING

Dacia Service Plans are the ultimate hassle free way to take care of your vehicle. Depending on the Service plan you purchase (see opposite grid) your servicing needs are covered and you benefit from;

- Inflation Proof Servicing – You know exactly what you'll pay and there are no hidden costs
- Peace of Mind – No matter where life takes you, we'll be there in over 5000 workshops across Europe
- Dacia Expertise & Quality – Our highly trained technicians know your Dacia inside out

The Dacia Service Plan contains Dacia services in-line with the manufacturer's service schedule, plus comes with a complimentary vehicle health check to ensure your Dacia is in the best condition possible.

	Cash Price	Monthly payments with Dacia Finance**		Total Retail Price
Service plan[^]			Extended warranty	
3 years / 30,000 miles Service Plan	£486	£9.99 per month	4 years / 60,000 miles [†]	£150
4 years / 40,000 miles Service Plan	£816	£11.99 per month	5 years / 60,000 miles [†]	£275
			6 years / 60,000 miles [†]	£400
			4 years / 100,000 miles [†]	£400
Servicing[^] + Extended Warranty Plan			5 years / 100,000 miles [†]	£525
4 years / 60,000 miles	£1,152	£17.99 per month	6 years / 100,000 miles [†]	£650

Service Intervals^o

Annual servicing **OR** servicing at 18,000 miles (whichever comes first)

Service Schedule ^o	Year 1	Year 2	Year 3	Year 4	Year 5	Year 6
	Cabin filter change	Oil change + Cabin filter change	Cabin filter change + Brake fluid change	Oil change + Cabin filter change + Brake fluid change	Cabin filter change + Coolant 150km change	Cabin filter change + Belts 150km change

*Dacia warranty ends when you reach the age or mileage limit (whichever comes first). Subject to status, terms and conditions apply. For full Dacia Extended Warranty Terms and Conditions visit www.dacia.co.uk/warranty-and-assistance/warranty

[^]Roadside assistance for the first 3 year / 60,000 miles, which ever is reached first. For full Terms and Conditions visit www.dacia.co.uk/warranty-and-assistance/assistance

[†] Dacia Extended warranties are available to purchase from first date of registration up to end of manufacturer warranty. For full Dacia Extended Warranty Terms and Conditions visit www.dacia.co.uk/warranty-and-assistance/warranty

The monthly service plan offer is available at point of signing agreement for vehicle purchased under HP and PCP finance agreement provided by Dacia Finance Ltd. (Not available on cash purchases).

^o The Service plan offer is available for eligible retail vehicles only and valid at participating dealers only. Vehicles must be ordered between 01 July 2022 to 30 September 2022 and registered to 31 December 2022. The Dacia Service plan covers the manufacturer's minimum maintenance programme requirements for the term of the Service plan purchased (refer to the Warranty and Service sheet in the Handover Document wallet for details). The plan ends when you reach the age or mileage limit (whichever comes first). Services must be carried out in line with the manufacturer's minimum maintenance programme requirements and servicing intervals within +/- 1 month or 1,000 miles of the service interval and can only be carried out at a Dacia Approved outlet. Service plans do not cover wear and tear items such as (but not limited to) tyres, wiper blades or brakes. For Service plan full Terms & Conditions visit www.dacia.co.uk/services-and-finance/service-plan. Cannot be part exchanged, refunded or transferred.

^o The service schedule and intervals are subject to the registration number. Ask your local dealer to confirm your service schedule / intervals as the above is a guideline.

**36 or 48 monthly payments options are only available at point of signing a finance agreement provided by Dacia Finance, Rivers Office Park, Denham Way, Rickmansworth, WD3 9YS. Guarantees and indemnities may be required. You must be a UK resident (excluding the Channel Islands) and over 18 to apply for finance. Terms and conditions apply.

¹ Dacia Insurance is arranged and administered by Verex Insurance Services Ltd, which is registered in England and Wales No. 05686831 at Batchworth House, Church Street, Rickmansworth, Herts, WD3 1JE and authorised and regulated by the Financial Conduct Authority, No. 487185. Verex Insurance Services Ltd arranges policies from a panel of insurers, details are available on request.

[^]If your insurer uses non-approved parts which subsequently fail, they may not be covered under your manufacturer's warranty.

Every precaution has been taken to ensure this publication is accurate and up to date when printed. This document has been created using pre-production and prototype models. In line with its policy of continuous product improvement, Dacia reserves the right to modify the specifications, vehicles and accessories described and featured at any time. Any such modifications are communicated to Dacia dealers as quickly as possible. Depending on the country of sale, versions may differ and certain equipment may be unavailable (as standard, optional or as an accessory). Please consult your Dacia brand representative for the latest information. For technical printing reasons, the colours featured in this document may differ slightly from those of the actual paintwork or interior trim. All rights reserved. Reproduction in any format and by any means of all or part of this publication is prohibited without prior written authorisation from Dacia.

Dacia recommends 

PUBLICIS - PHOTO CREDITS : MAGROUND ET ADDITIVE, MARC & DAVID, H. PICARD, TWIN GROUP © RENAULT MARKETING 3D-COMMERCE - August 2022